

Dealer: PENNCARE

Approved By:

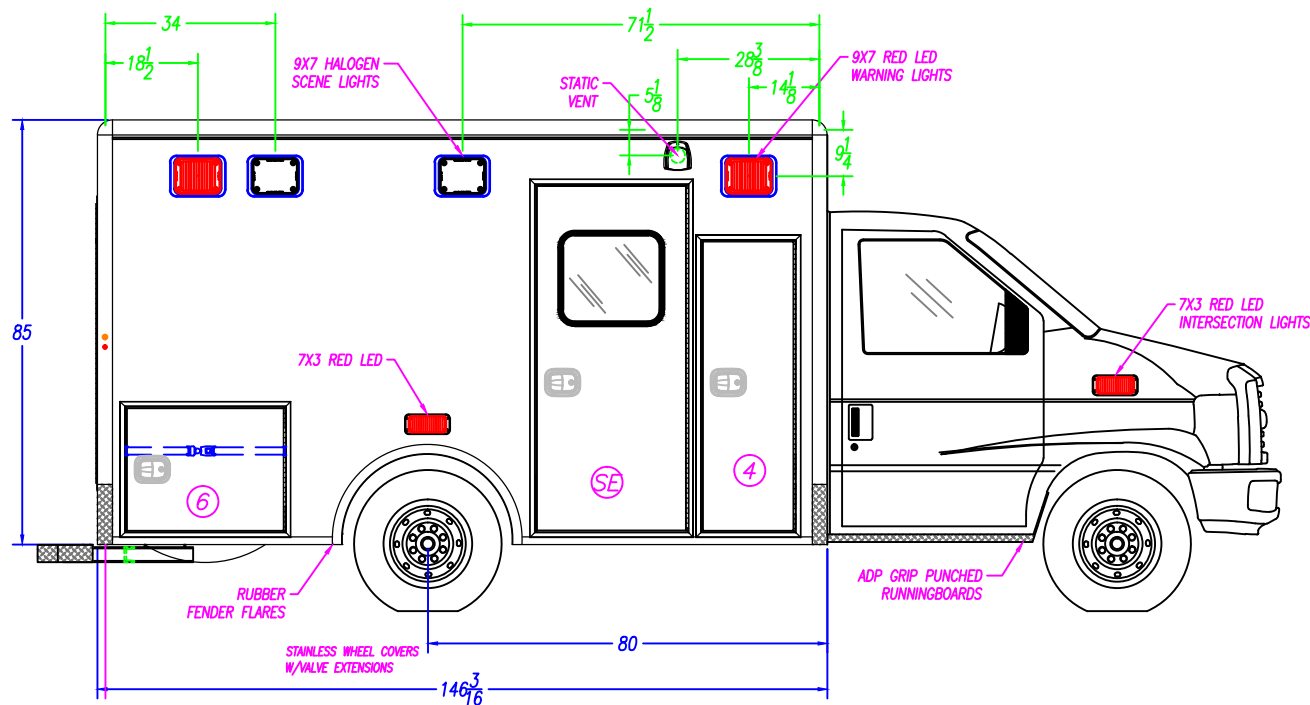
Date:

Customer: STOCK

20-90635-38

Sheet
A

ALL COMPARTMENT & ENTRY DOORS TO HAVE POWER LOCKS, WIRE TO OEM
 ALL WARNING, SCENE, AND TAIL LIGHTS TO HAVE CHROME BEZELS
 ALL GREEN DIMENSIONS ARE TAKEN FROM EDGE OF WALL
 SURFACE PRIOR TO CORNER CAP BEING APPLIED



COMPARTMENT SIZES			
NO.	COMPARTMENT TYPE	WIDTH	HEIGHT
4	ALS/BATTERY COMPARTMENT	19 3/8"	15 1/2"
6	OPTIONAL SPARE TIRE COMPARTMENT	32 7/8"	25 7/8"
---	---	---	---

NOTE: THE DIMENSIONS BELOW ARE OVERALL INTERIOR SIZES FOR EACH SPECIFIED COMPARTMENT TUB

NO.	COMPARTMENT TYPE	WIDTH	HEIGHT	DEPTH
4	ALS/BATTERY COMPARTMENT	19 3/8"	15 1/2"	18 1/4"
6	OPTIONAL SPARE TIRE COMPARTMENT	32 7/8"	25 7/8"	12"
---	---	---	---	---

COMPARTMENT & ENTRY DOORS			
NO.	PART NUMBER	NO.	PARTNUMBER
4	71-101348	-	---
6	71-101283	-	---
SE	71-101286	-	---

COMPARTMENT TUBS			
NO.	PART NUMBER	NO.	PARTNUMBER
4	41-101372	-	---
6	41-101226	-	---
---	---	-	---

COMPARTMENT / ENTRY DOOR SIZES			
NO.	COMPARTMENT / ENTRY DOOR TYPE	WIDTH	HEIGHT
4	ALS/BATTERY COMPARTMENT DOOR	18"	58 1/8"
6	OPTIONAL SPARE TIRE COMPARTMENT DOOR	31 9/16"	24 3/8"
SE	SIDE ENTRY DOOR	29 3/4"	69 1/16"
---	---	---	---

FORD E-350 138" W.B.
 146" RP90-ES TYPE III

DESCRIPTION:
 CURB SIDE EXTERIOR

DRAWN BY: D. EDWARDS
 DATE CREATED: 8/25/2020
 SCALE: 5/16"=1'

REVISED BY: ---
 DATE REVISED: ---
 REVISION: ---

Note: Drawings are for reference only, measurements may vary from actual product.

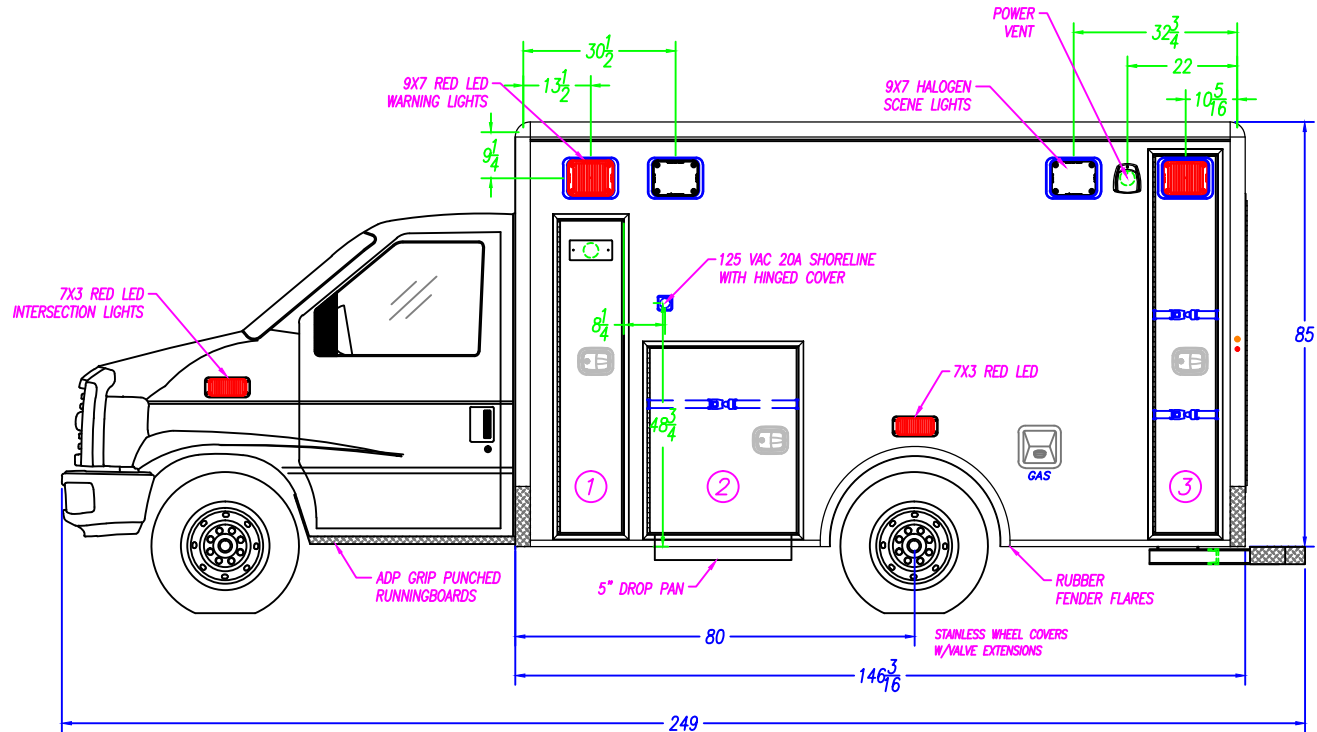


MEDIX
 SPECIALTY VEHICLES, INC.

3008 MOBILE DRIVE
 ELKHART, IN 46514
 PH: 574-266-0911
 FAX: 574-266-6669

"LET US SHOW YOU THE MEDIX DIFFERENCE"
 WWW.MEDIXAMBULANCE.COM

ALL COMPARTMENT & ENTRY DOORS TO HAVE POWER LOCKS, WIRE TO OEM
 ALL WARNING, SCENE, AND TAIL LIGHTS TO HAVE CHROME BEZELS
 ALL GREEN DIMENSIONS ARE TAKEN FROM EDGE OF WALL
 SURFACE PRIOR TO CORNER CAP BEING APPLIED

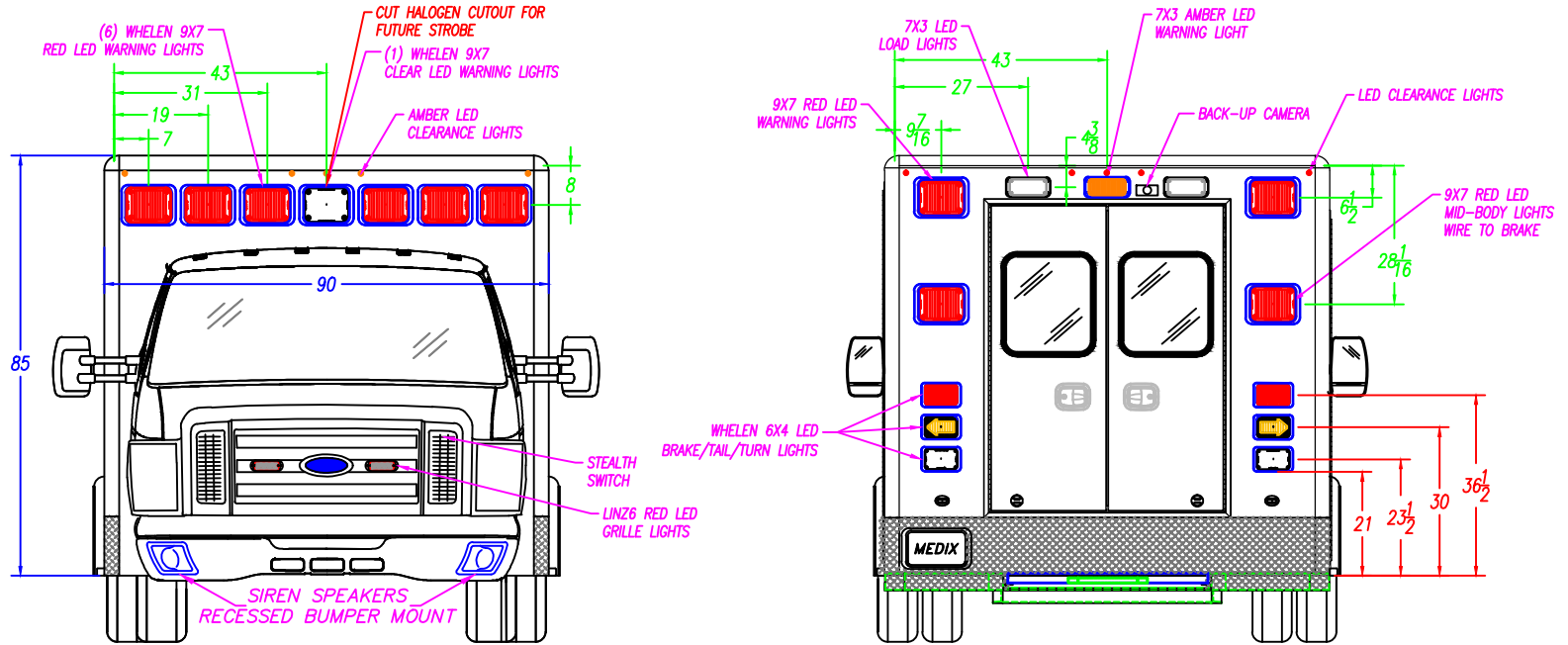


COMPARTMENT SIZES				COMPARTMENT & ENTRY DOORS				COMPARTMENT TUBS				
NOTE: THE DIMENSIONS BELOW ARE OVERALL INTERIOR SIZES FOR EACH SPECIFIED COMPARTMENT TUB				NO.	PART NUMBER	NO.	PARTNUMBER	NO.	PART NUMBER	NO.	PARTNUMBER	
NO.	COMPARTMENT TYPE	WIDTH	HEIGHT	DEPTH								
1	O2 COMPARTMENT	13 7/8"	63 7/8"	13 1/2"	1	71-101265	-	---	1	41-101222	-	---
2	MID STORAGE COMPARTMENT	30 7/8"	38 3/8"	13 1/2"	2	71-101271	-	---	2	41-101227	-	---
3	BACKBOARD STORAGE COMPARTMENT	13 3/8"	76 7/8"	17 1/2"	3	71-101274	-	---	3	41-103020	-	---
				FORD E-350 138" W.B. 146" RP90-ES TYPE III								
COMPARTMENT / ENTRY DOOR SIZES				STREET SIDE EXTERIOR								
NO.	COMPARTMENT / ENTRY DOOR TYPE	WIDTH	HEIGHT									
1	O2 COMPARTMENT DOOR	12 1/8"	62 3/8"	DRAWN BY: D. EDWARDS		DATE CREATED: 8/25/2020		SCALE: 5/16"=1'				
2	MID STORAGE COMPARTMENT DOOR	29 1/8"	37 3/8"	REVISED BY: -		DATE REVISED: -		REVISION: -				
3	BACKBOARD STORAGE COMPARTMENT DOOR	12 1/8"	75 3/8"	Note: Drawings are for reference only, measurements may vary from actual product.								

3008 MOBILE DRIVE
 ELKHART, IN 46514
 PH: 574-266-0911
 FAX: 574-266-6669

"LET US SHOW YOU THE MEDIX DIFFERENCE"
 WWW.MEDIXAMBULANCE.COM

ALL COMPARTMENT & ENTRY DOORS TO HAVE POWER LOCKS, WIRE TO OEM
 ALL WARNING, SCENE, AND TAIL LIGHTS TO HAVE CHROME BEZELS
 ALL GREEN DIMENSIONS ARE TAKEN FROM EDGE OF WALL
 SURFACE PRIOR TO CORNER CAP BEING APPLIED



REAR ENTRY DOOR SIZES				FORD E-350 138" W.B. 146" RP90-ES TYPE III		
NO.	WIDTH	HEIGHT	PART NUMBER	FRONT & REAR EXTERIOR		
R1	23 7/8"	61 7/8"	-	DRAWN BY: D. EDWARDS	DATE CREATED: 8/25/2020	SCALE: 5/16"=1'
R2	24 1/2"	61 7/8"	-	REVISED BY: -	DATE REVISED: -	REVISION: -

Note: Drawings are for reference only, measurements may vary from actual product.

3008 MOBILE DRIVE
 ELKHART, IN 46514
 PH: 574-266-0911
 FAX: 574-266-6669

"LET US SHOW YOU THE MEDIX DIFFERENCE"
 WWW.MEDIXAMBULANCE.COM

Dealer: PENNCARE

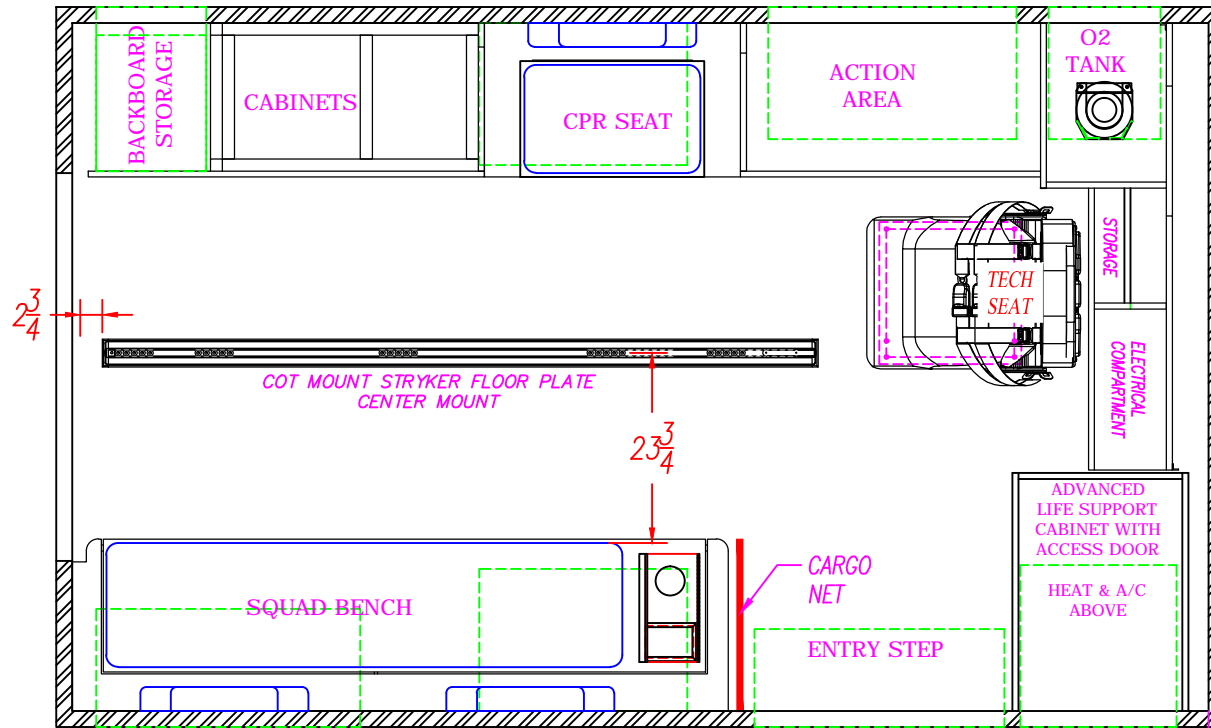
Approved By:

Date:

Customer: STOCK

20-90635-38

Sheet
D



FORD E-350 138" W.B.
146" RP90-ES TYPE III

DESCRIPTION: PATIENT AREA PLAN-CPR		
DRAWN BY: D. EDWARDS	DATE CREATED: 8/25/2020	SCALE: 1/2"=1'
REVISED BY: -	DATE REVISED: -	REVISION: -

Note: Drawings are for reference only, measurements may vary from actual product.

MEDIX 3008 MOBILE DRIVE
ELKHART, IN 46514
PH: 574-266-0911
SPECIALTY VEHICLES, INC. FAX: 574-266-6669
"LET US SHOW YOU THE MEDIX DIFFERENCE"
WWW.MEDIXAMBULANCE.COM

Dealer: PENNCARE

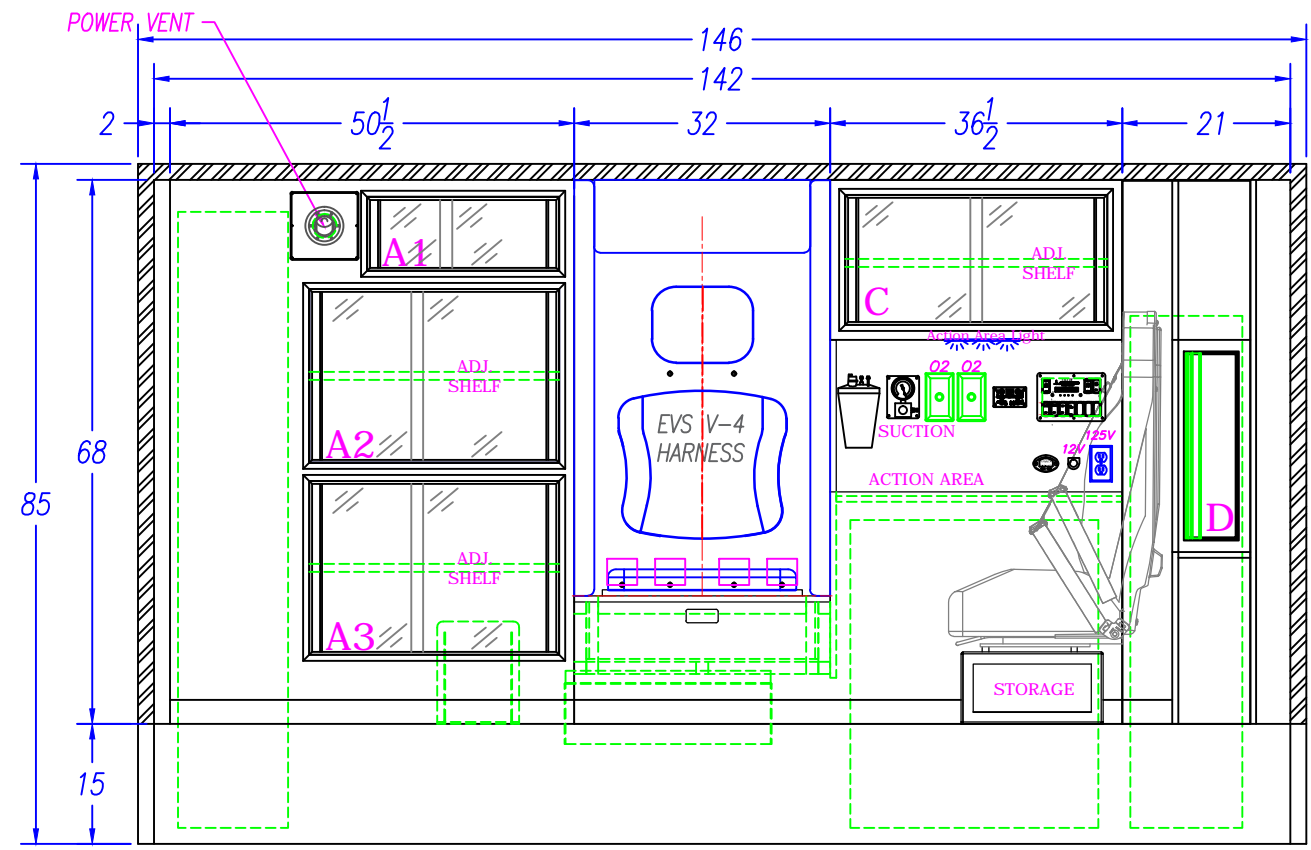
Approved By:

Date:

Customer: STOCK

20-90635-38

Sheet
E



INTERIOR CABINET STORAGE				
ITEM	HEIGHT	WIDTH	DEPTH	SPECIAL NOTE
A1	9 $\frac{3}{4}$ "	19 $\frac{3}{4}$ "	15"	
A2-3	21 $\frac{3}{4}$ "	27"	15"	
C	16 $\frac{1}{4}$ "	32 $\frac{3}{4}$ "	15"	
D	21 $\frac{3}{4}$ "	12"	16 $\frac{1}{4}$ "	
E	21 $\frac{3}{4}$ "	12"	16 $\frac{1}{4}$ "	

FORD E-350 138" W.B.
146" RP90-ES TYPE III

DESCRIPTION:
STREET SIDE INTERIOR-CPR

DRAWN BY: D. EDWARDS
DATE CREATED: 8/25/2020
SCALE: 1/2"=1'

REVISED BY: -
DATE REVISED: -
REVISION: -

Note: Drawings are for reference only, measurements may vary from actual product.

MEDIX
SPECIALTY VEHICLES, INC.

3008 MOBILE DRIVE
ELKHART, IN 46514
PH: 574-266-0911
FAX: 574-266-6669

"LET US SHOW YOU THE MEDIX DIFFERENCE"
WWW.MEDIXAMBULANCE.COM

Dealer: PENNCARE

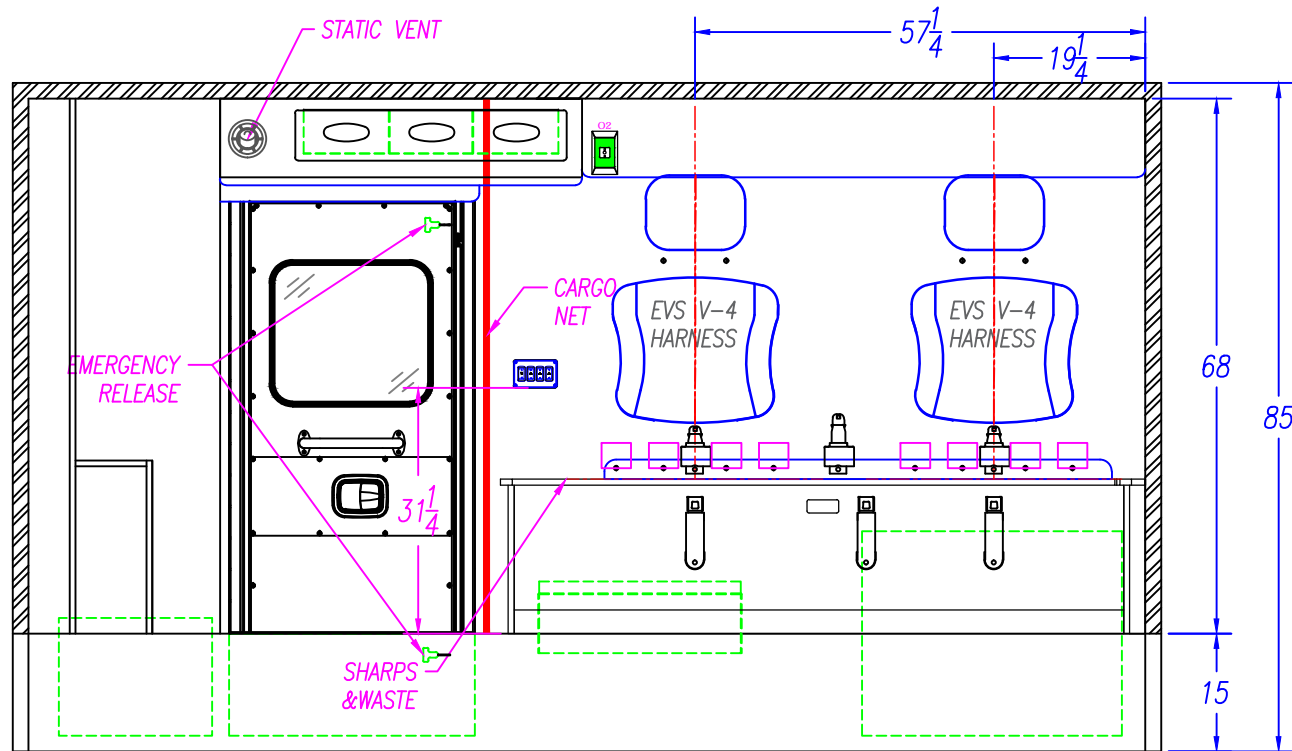
Approved By:

Date:

Customer: STOCK

20-90635-38

Sheet
F



4" SEATBELT PLATE LOCATION

WELD SHOP	30	INCHES	NOTE: THIS DIMENSION IS FROM THE BOTTOM OF THE WALL TO THE BOTTOM OF THE 4" PLATE.				
CABINET SHOP	NOTE: THE HOLES FOR THE TOP SEATBELT BOLTS ARE $1\frac{1}{2}$ " FROM THE TOP OF THE SQUAD BENCH TO THE CENTER OF THE SEATBELT BOLT. NOTE: THE HOLES FOR THE BOTTOM SEATBELT BOLTS ON THE SQUAD BENCH ARE $9\frac{3}{8}$ " FROM THE TOP OF THE FLOOR TO THE CENTER OF THE BOLT.						
NOTE: READ THE DIMENSIONS FROM RIGHT TO LEFT AS VIEWED	THE LOCATION OF THE BOTTOM SEATBELT HOLES ARE FROM THE REAR OF THE SQUAD BENCH TO THE CENTER OF THE $\frac{1}{2}$ " HOLE	BOTTOM			$57\frac{1}{4}$ "	$35\frac{1}{2}$ "	$19\frac{1}{4}$ "
	THE LOCATION OF THE TOP SEATBELT HOLES ARE FROM THE REAR WALL TO THE CENTER OF THE $\frac{1}{2}$ " HOLE	TOP			$57\frac{1}{4}$ "	39"	$19\frac{1}{4}$ "

INTERIOR CABINET STORAGE

ITEM	HEIGHT	WIDTH	DEPTH	SPECIAL NOTE
A				
B				
C				
D				
E				
F				

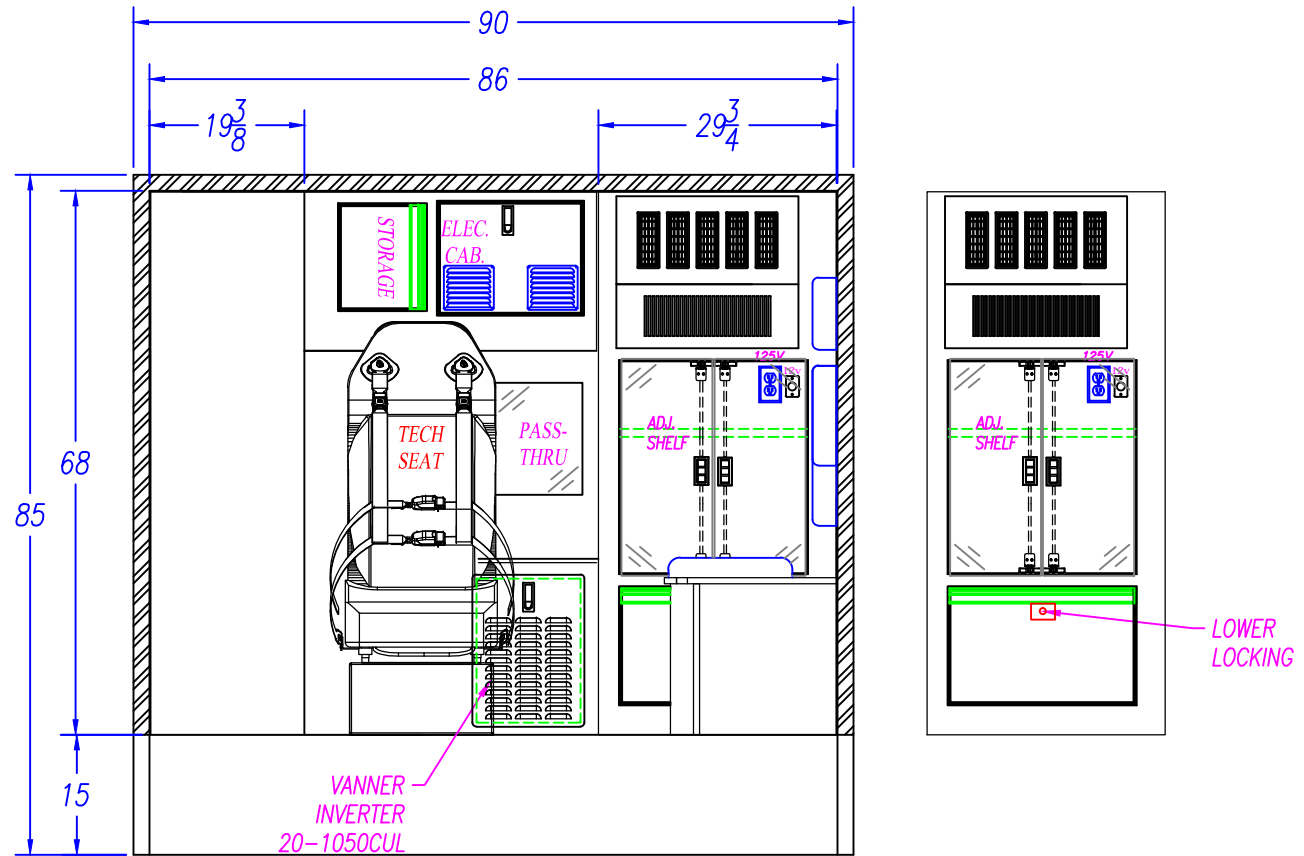
FORD E-350 138" W.B. 146" RP90-ES TYPE III		
DESCRIPTION: CURB SIDE INTERIOR		
DRAWN BY: D.EDWARDS	DATE CREATED: 8/25/2020	SCALE: 1/2"=1'
REVISED BY: -	DATE REVISED: -	REVISION: -
Note: Drawings are for reference only, measurements may vary from actual product.		



MEDIX
SPECIALTY VEHICLES, INC.

3008 MOBILE DRIVE
ELKHART, IN 46514
PH: 574-266-0911
FAX: 574-266-6669

"LET US SHOW YOU THE MEDIX DIFFERENCE"
WWW.MEDIXAMBULANCE.COM



INTERIOR CABINET STORAGE				
ITEM	HEIGHT	WIDTH	DEPTH	SPECIAL NOTE
ALS-1	14 3/4"	23 1/2"	20 1/2"	
ALS-2	26 1/8"	23 1/4"	20 1/2"	

FORD E-350 138" W.B. 146" RP90-ES TYPE III		
DESCRIPTION: FRONT ELEVATION		
DRAWN BY: D. EDWARDS	DATE CREATED: 8/25/2020	SCALE: 1/2"=1'
REVISED BY: -	DATE REVISED: -	REVISION: -
Note: Drawings are for reference only, measurements may vary from actual product.		

3008 MOBILE DRIVE
ELKHART, IN 46514
PH: 574-266-0911
FAX: 574-266-6669

"LET US SHOW YOU THE MEDIX DIFFERENCE"

WWW.MEDIXAMBULANCE.COM

Dealer: PENNCARE

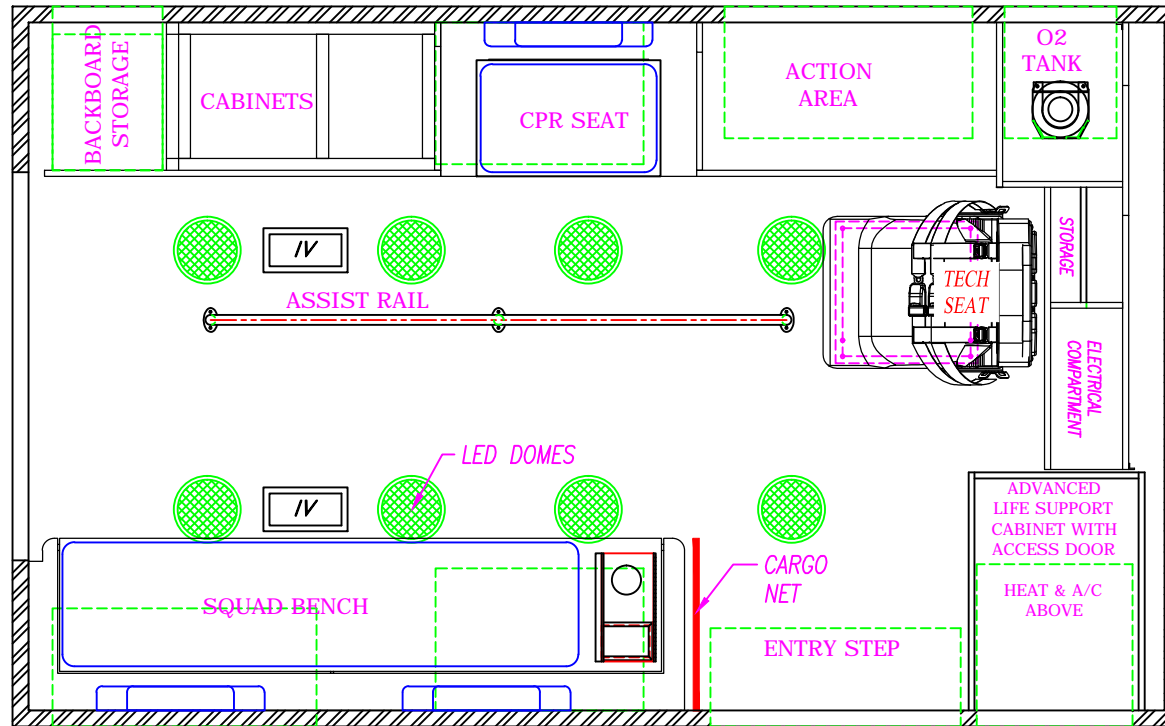
Approved By:

Date:

Customer: STOCK

20-90635-38

Sheet
H



FORD E-350 138" W.B.
146" RP90-ES TYPE III

CEILING LAYOUT-CPR

DESCRIPTION:		
DRAWN BY: D. EDWARDS	DATE CREATED: 8/25/2020	SCALE: 1/2"=1'
REVISED BY: -	DATE REVISED: -	REVISION: -

Note: Drawings are for reference only, measurements may vary from actual product.



3008 MOBILE DRIVE
ELKHART, IN 46514
PH: 574-266-0911
FAX: 574-266-6669

"LET US SHOW YOU THE MEDIX DIFFERENCE"
WWW.MEDIXAMBULANCE.COM

Dealer: PENNCARE

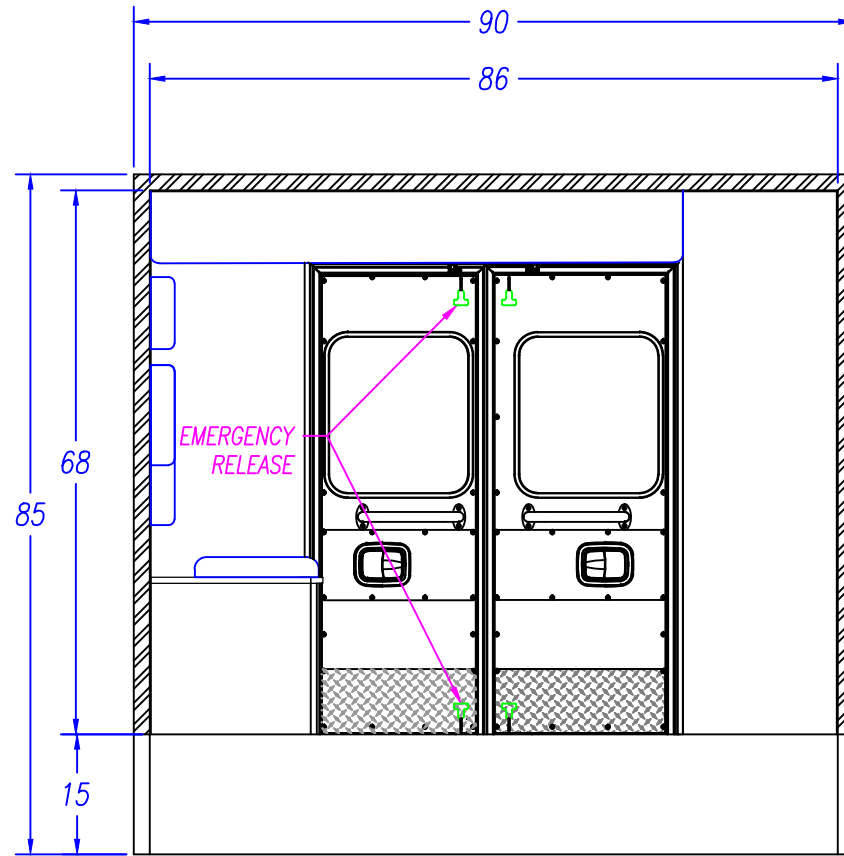
Approved By:

Date:

Customer: STOCK

20-90635-38

Sheet
I



FORD E-350 138" W.B.
146" RP90-ES TYPE III

REAR ELEVATION

DESCRIPTION:		
DRAWN BY:	DATE CREATED:	SCALE:
D. EDWARDS	8/25/2020	1/2"=1'
REVISED BY:	DATE REVISED:	REVISION:
-	-	-

Note: Drawings are for reference only, measurements may vary from actual product.



3008 MOBILE DRIVE
ELKHART, IN 46514
PH: 574-266-0911
FAX: 574-266-6669

"LET US SHOW YOU THE MEDIX DIFFERENCE"
WWW.MEDIXAMBULANCE.COM