

WHELEN FN72QLED EDGE ULTRA FREEDOM
LIGHT BAR WITH CLEAR LENSES

OVERALL HEIGHT = 118.5"
OVERALL WIDTH WITH RUB
RAILS & FENDERETTES = 98"

(2) ANTENNA'S ON
CAB ROOF
(1) ON DRIVERS SIDE
(1) ON PASSENGER SIDE

UNITY 325 SPOTLIGHT ON
CURBSIDE OF CAB

UNITY 325 SPOTLIGHT ON
STREETSIDE OF CAB

BRUSHED STAINLESS STEEL
ROCK GUARDS ON
MODULE FACE.

WHELEN 600 RED SUPER
LED WITH CLEAR LENSES

WHELEN 600 AMBER LED TURN SIGNAL

SIREN SPEAKERS

AIR HORNS



VOLUSIA COUNTY
FIRE RESCUE

2011 FRONT EXTERIOR VIEW
SPARTAN METROSTAR LTD 10" ROOF CHASSIS

1:18

DATE:	17 MAY 11
DWG.	REV.
MJF	E

DRAWING NO.
VOLUSIA-1

OVERALL HEIGHT = 118.5"
 OVERALL WIDTH WITH RUB
 RAILS & FENDERETTES = 98"

(5) RED LED CLEARANCE LIGHTS

CAST PRODUCTS
 DOOR GRABBERS

EXHAUST VENT

LED LICENSE
 PLATE LIGHT

MUD FLAPS

(1) WHELEN 900 AMBER SUPER LED WITH CLEAR LENS

(2) WHELEN 900 CLEAR HALOGEN LOAD LIGHTS

(2) WHELEN 900
 RED SUPER LED
 WITH CLEAR LENS

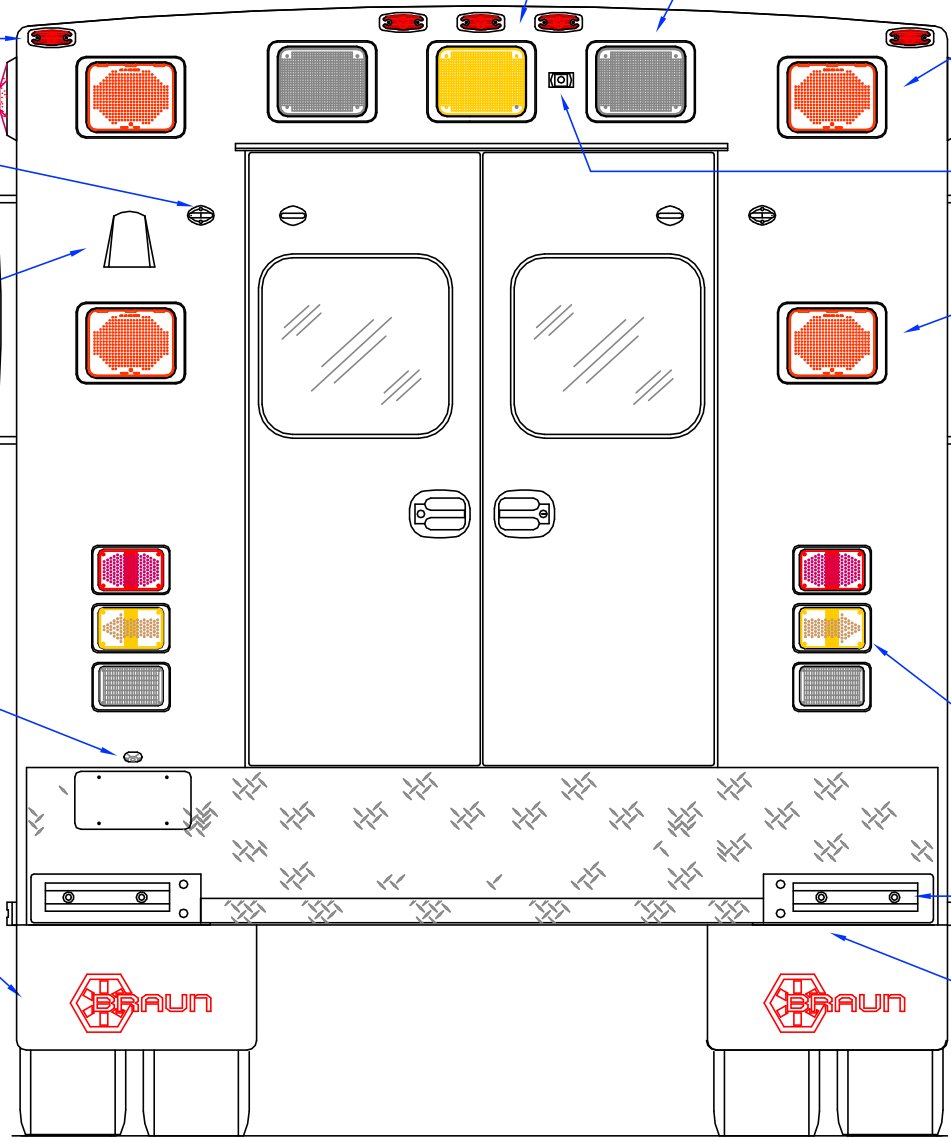
REAR VIEW CAMERA

(2) WHELEN 900
 RED SUPER LED
 WITH CLEAR LENS

ONE (1) EACH SIDE
 WHELEN
 600 LED BRAKE/TAIL,
 600 LED TURN
 600 HALOGEN BACK-UP

DOCK BUMPERS

INDEPENDENT BUMPER WITH
 FLIP-UP CENTER STEP AND
 TOW HOOKS



VOLUSIA COUNTY
 FIRE RESCUE

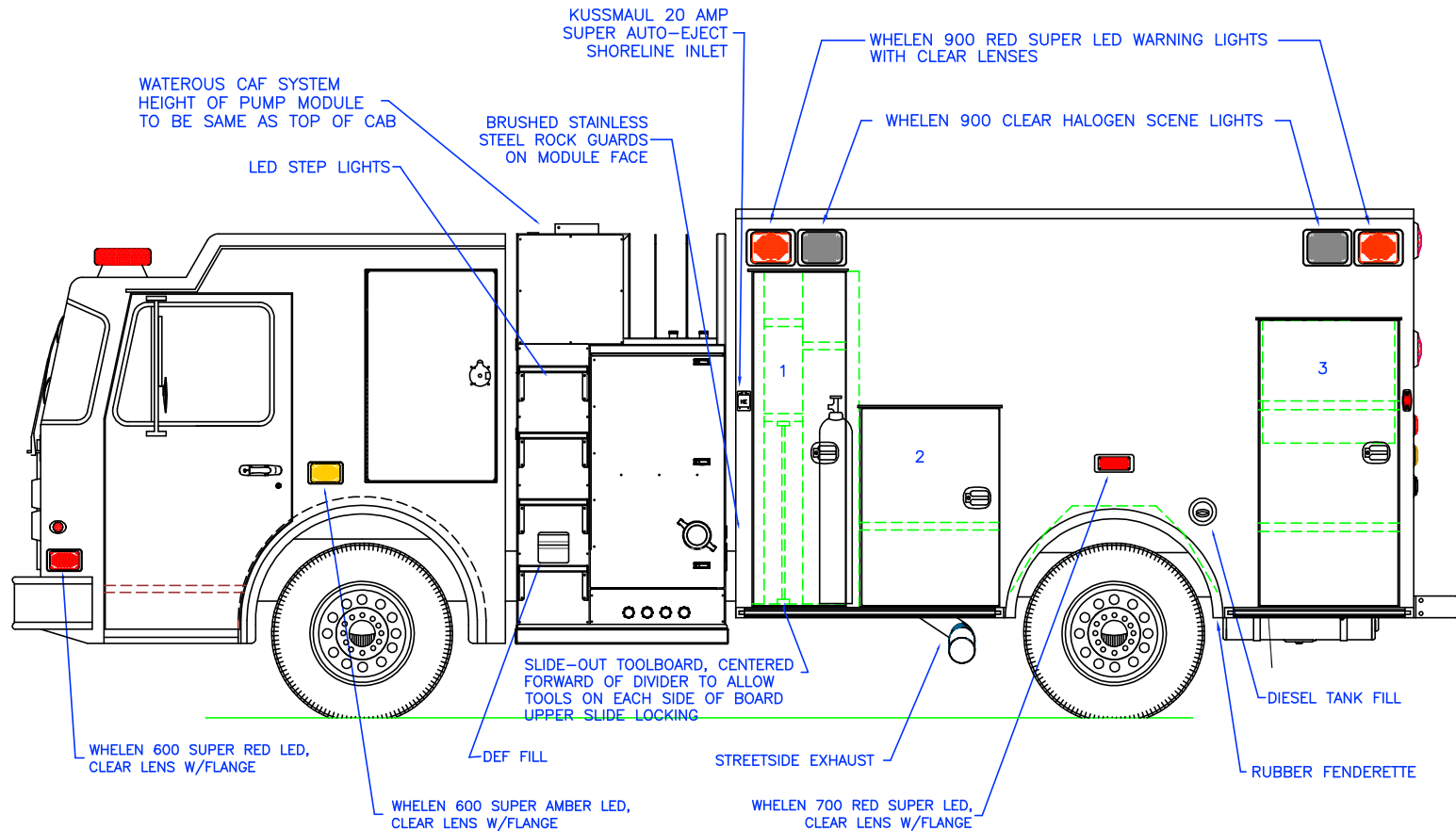
2011 REAR EXTERIOR VIEW
 SPARTAN METROSTAR CHASSIS

1:18

DATE:	28 JAN 11	
DWG.	GLF	REV. D

DRAWING NO.
 VOLUSIA-2

OVERALL HEIGHT = 118.5"
 OVERALL LENGTH = 335" (APPROXIMATE)
 PUMP PANEL LENGTH = 48"
 PATIENT MODULE LENGTH = 156"
 CAB-TO-AXLE = 140"
 WHEELBASE = 173"



COMPARTMENT

O.S.S #1

CLEAR OPENING: 75.50h x 17.75w
 INSIDE DIM'S.: 76.50h x 21.75w x 21.75d
 VERTICAL DIVIDER WITH MAIN OXYGEN STORAGE REARWARD
 (1) ADJUSTABLE SHELF ABOVE OXYGEN
 40" HIGH SLIDE-OUT TOOLBOARD CENTERED FORWARD OF DIVIDER WITH THUMB LATCH LOCK
 (1) FIXED SHELF ABOVE TOOL BOARD
 (1) ADJUSTABLE SHELF ABOVE FIXED SHELF

O.S.S #2

CLEAR OPENING: 44.25h x 28.50w
 INSIDE DIM'S.: 47.50h x 32.00w x 21.75d
 ONE (1) ADJUSTABLE SHELF

O.S.S #3

CLEAR OPENING: 63.50h x 29.50w
 INSIDE DIM'S.: 65.25h x 32.75w x 21.75d
 INSIDE/OUTSIDE ACCESS
 TWO (2) ADJUSTABLE SHELVES

OUTSIDE STORAGE COMPARTMENTS TO HAVE LED ROPE LIGHTING
 OUTSIDE STORAGE COMPARTMENTS TO HAVE TURTLE TILE (#1-#3)



DIMENSIONS ARE NOMINAL

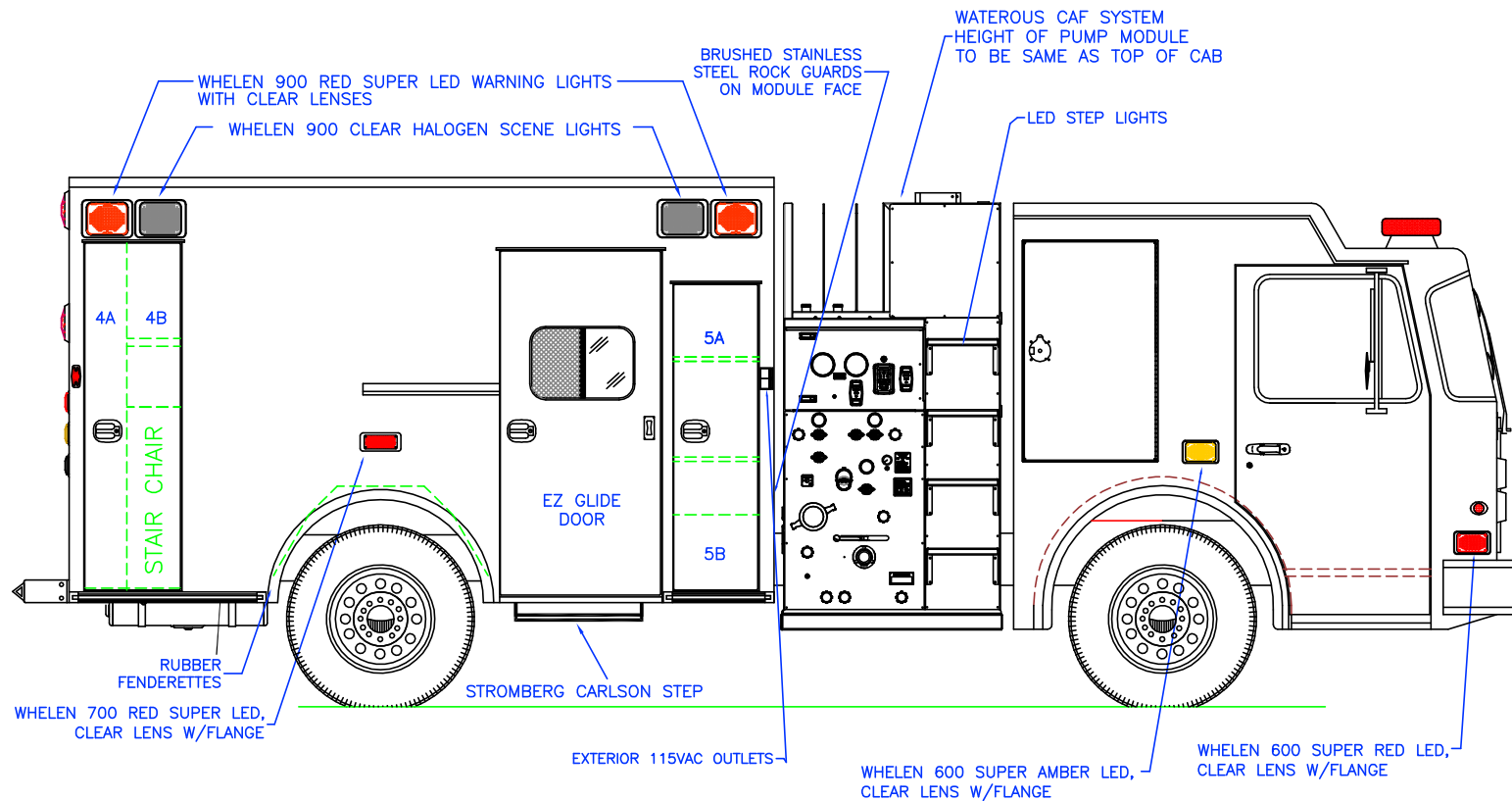
VOLUSIA COUNTY
 FIRE RESCUE

2011 CURBSIDE EXTERIOR VIEW
 SPARTAN METROSTAR LTD 10" ROOF CHASSIS

DATE:
 17 MAY 11
 DWG. MJF REV. J
 1:30

DRAWING NO.
 VOLUSIA-3

OVERALL HEIGHT = 118.5"
 OVERALL LENGTH = 335" (APPROXIMATE)
 PUMP PANEL LENGTH = 48"
 PATIENT MODULE LENGTH = 156"
 CAB-TO-AXLE = 140"
 WHEELBASE = 173"



COMPARTMENT
O.S.S #4

CLEAR OPENING: 75.50h x 19.00w
 INSIDE DIM'S #4A: 76.50h x 9.75w x 21.75d
 BACKBOARD/SCOOP STORAGE
 INSIDE DIM'S #4B: 76.50h x 12.00w x 21.75d
 FERNO EZ GLIDE STAIR CHAIR STORAGE BELOW FIXED SHELF, LOCATED 40" FROM COMPARTMENT FLOOR
 (1) ADJUSTABLE SHELF ABOVE FIXED SHELF
 DOOR TO OPEN 110°

O.S.S #5

CLEAR OPENING: 66.50h x 14.00w
 INSIDE DIM'S. 5A: 49.50h x 19.00w x 28.50d
 INSIDE/OUTSIDE STORAGE WITH TWO (2) ADJUSTABLE SHELVES
 LOWER 12" OUTSIDE ACCESS ONLY
 INSIDE DIM'S. 5B: 16.25h x 19.00w x 16.50d

OUTSIDE STORAGE COMPARTMENTS TO HAVE LED ROPE LIGHTING
 OUTSIDE STORAGE COMPARTMENTS TO HAVE TURTLE TILE (#4-5)



DIMENSIONS ARE NOMINAL

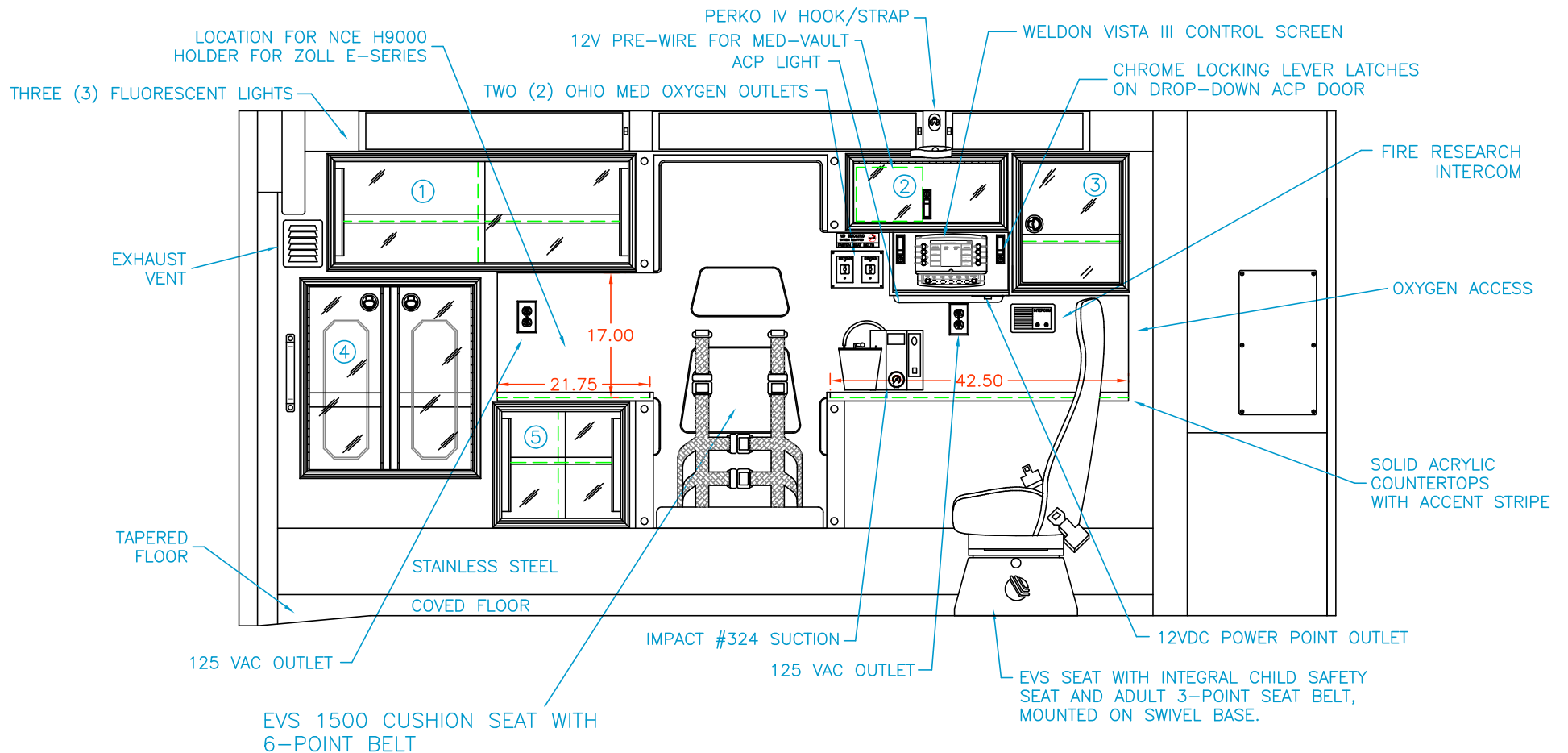
VOLUSIA COUNTY
FIRE RESCUE

2011 CURBSIDE EXTERIOR VIEW
SPARTAN METROSTAR LTD 10" ROOF CHASSIS

DATE:
17 MAY 11
DWG. MJF
REV. J

DRAWING NO.
VOLUSIA-4

1:30



COMPARTMENT

#1 DOOR OPENING: 14.25h x 41.75w
 INSIDE DIMS: 16.00h x 43.50w x 19.50d
 ONE (1) ADJUSTABLE SHELF

#2 DOOR OPENING: 8.50h x 20.75w
 INSIDE DIMS: 10.25h x 22.50w x 19.50d
 TOP-HINGED ACRYLIC DOOR WITH GAS SHOCK
 HOLD-OPEN AND LOCKING LEVER LATCH(KEY DIFFERENT)
 INSTALL TAP PLATE FOR MED-VAULT

#3 DOOR OPENING: 17.25h x 14.00w
 INSIDE DIMS: 19.00h x 16.25w x 19.50d
 HINGED PLEXI DOOR W/STAINLESS STEEL FLUSH PULL LATCH(NON LOCKING)
 ONE (1) ADJUSTABLE SHELF

#4 DOOR OPENING: 26.25h x 23.50w
 INSIDE DIMS: O.S.S. #3

RECESSED .375" ACRYLIC DOORS WITH FULL LENGTH HANDLES
 TWO (2) STAINLESS STEEL FLUSH PULL LATCHES(NON LOCKING)

#5 DOOR OPENING: 15.00h x 17.00w
 INSIDE DIMS: 16.75h x 18.75w x 18.50d
 ONE (1) ADJUSTABLE SHELF



ALUMINUM CABINETS--DIMENSIONS ARE NOMINAL

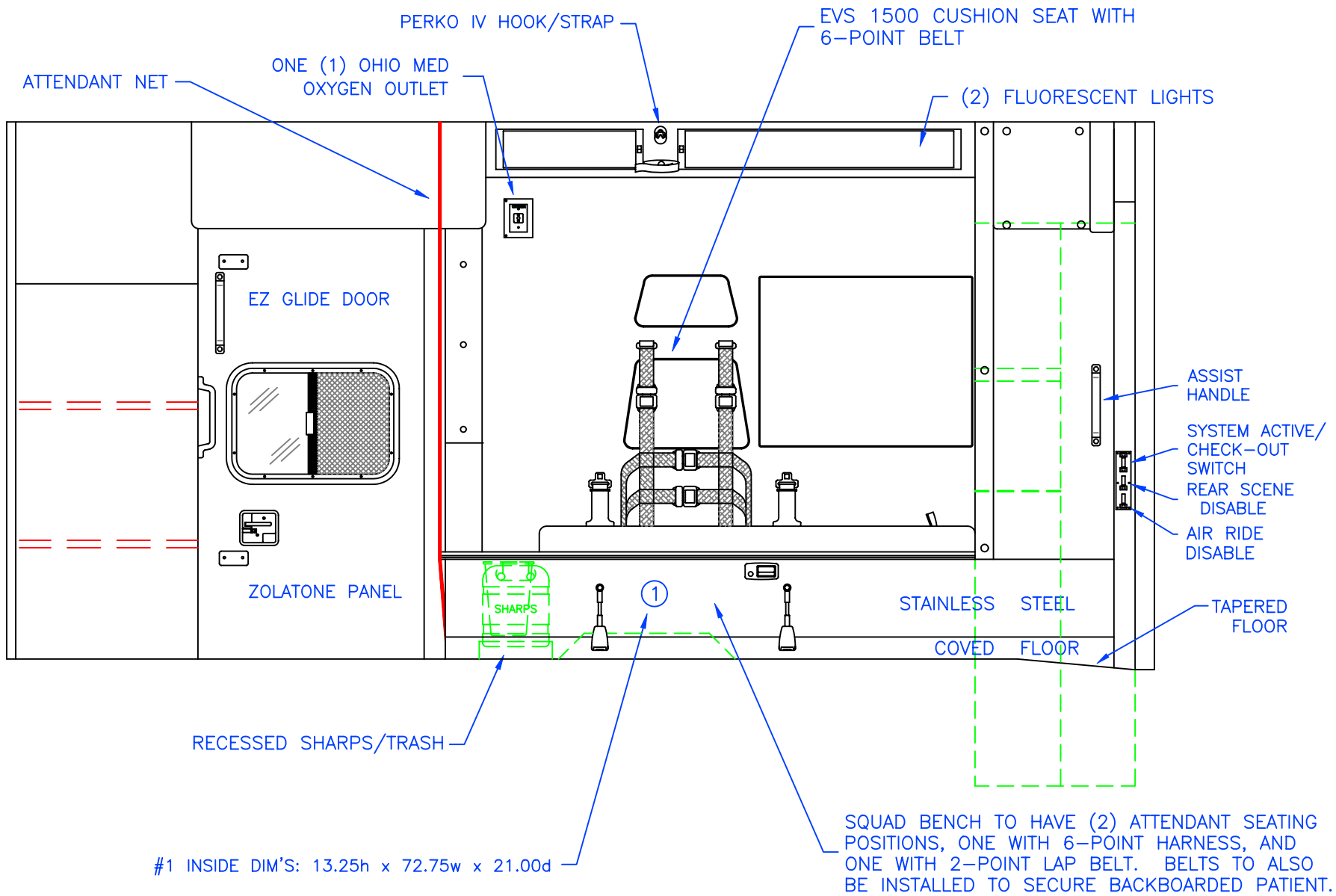
VOLUSIA COUNTY
 FIRE RESCUE

2011 STREETSIDE INTERIOR VIEW

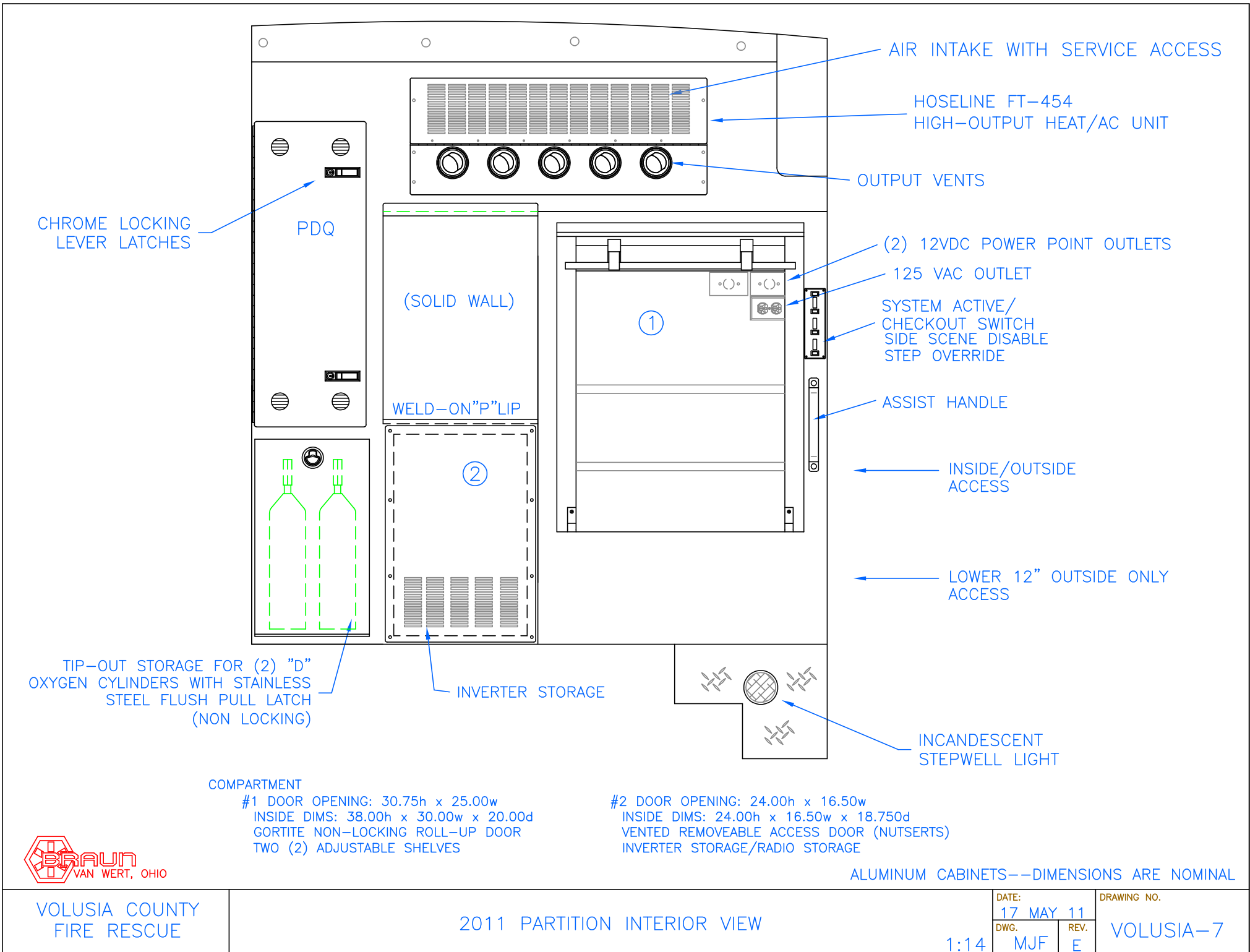
1:22

DATE:	17 MAY 11	
DWG.	MJF	REV. F

DRAWING NO.
 VOLUSIA-5



ALUMINUM CABINETS--DIMENSIONS ARE NOMINAL



CHROME LOCKING LEVER LATCHES

PDQ

(SOLID WALL)

WELD-ON "P" LIP

②

INVERTER STORAGE

TIP-OUT STORAGE FOR (2) "D" OXYGEN CYLINDERS WITH STAINLESS STEEL FLUSH PULL LATCH (NON LOCKING)

COMPARTMENT

#1 DOOR OPENING: 30.75h x 25.00w
 INSIDE DIMS: 38.00h x 30.00w x 20.00d
 GORTITE NON-LOCKING ROLL-UP DOOR
 TWO (2) ADJUSTABLE SHELVES

#2 DOOR OPENING: 24.00h x 16.50w
 INSIDE DIMS: 24.00h x 16.50w x 18.750d
 VENTED REMOVEABLE ACCESS DOOR (NUTSERTS)
 INVERTER STORAGE/RADIO STORAGE

AIR INTAKE WITH SERVICE ACCESS

HOSELINE FT-454 HIGH-OUTPUT HEAT/AC UNIT

OUTPUT VENTS

(2) 12VDC POWER POINT OUTLETS

125 VAC OUTLET

SYSTEM ACTIVE/
 CHECKOUT SWITCH
 SIDE SCENE DISABLE
 STEP OVERRIDE

ASSIST HANDLE

INSIDE/OUTSIDE ACCESS

LOWER 12" OUTSIDE ONLY ACCESS

INCANDESCENT STEPWELL LIGHT

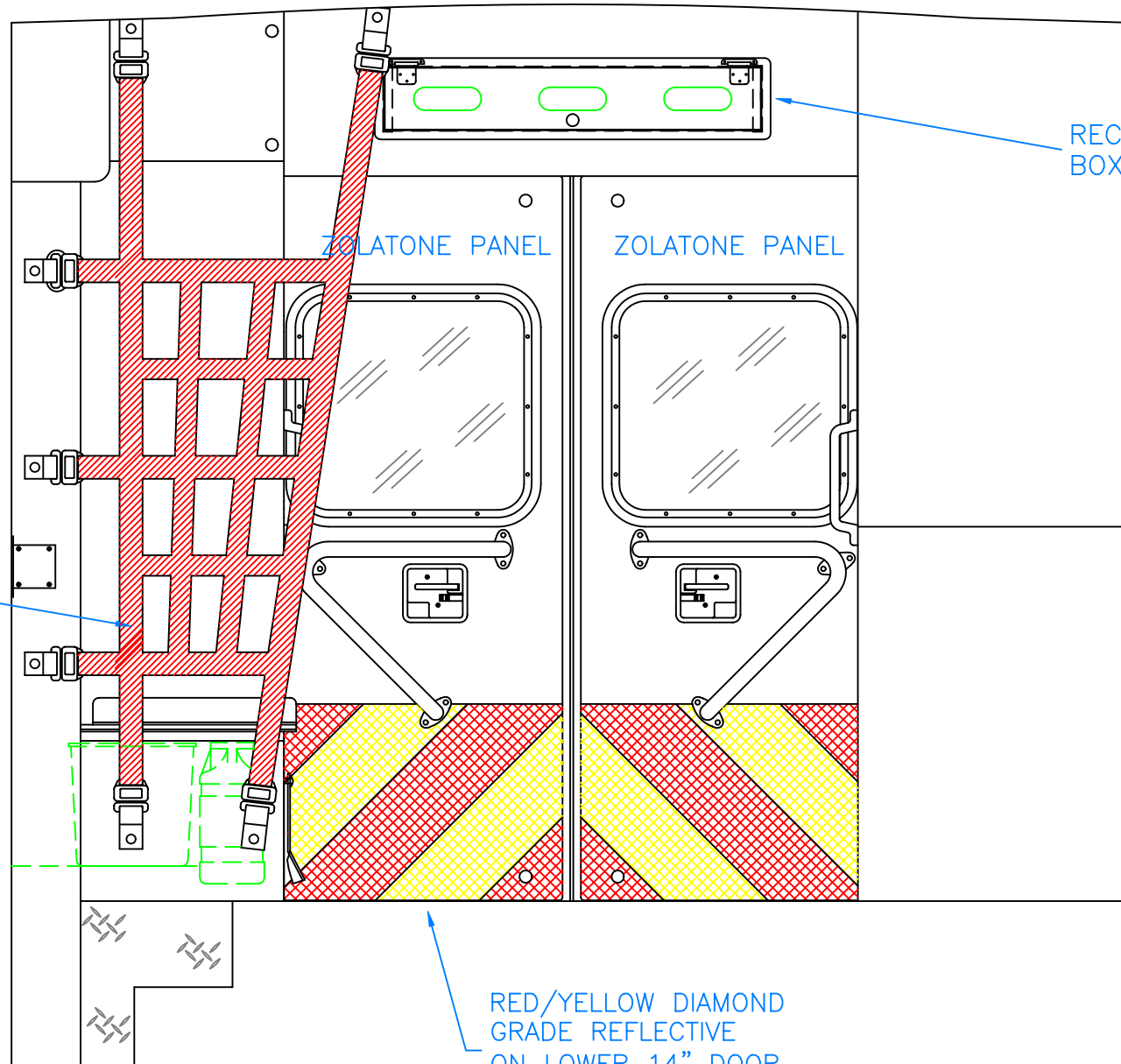
ALUMINUM CABINETS--DIMENSIONS ARE NOMINAL



VOLUSIA COUNTY
 FIRE RESCUE

2011 PARTITION INTERIOR VIEW

DATE: 17 MAY 11		DRAWING NO.	
DWG. MJF	REV. E	VOLUSIA-7	
1:14			



RECESSED 3-GLOVE
BOX HOLDER

ZOLATONE PANEL

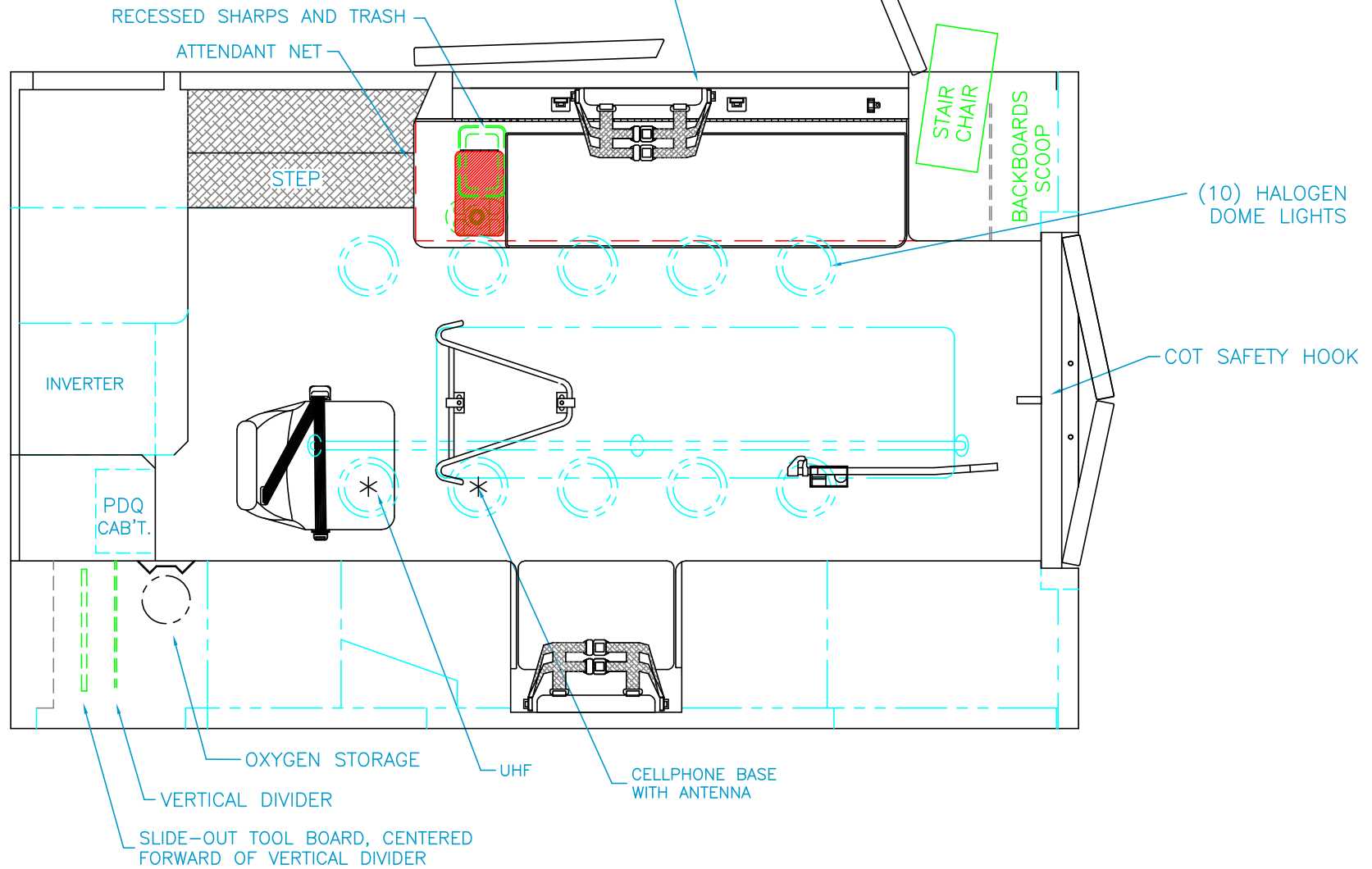
ZOLATONE PANEL

SQUAD BENCH NET

RED/YELLOW DIAMOND
GRADE REFLECTIVE
ON LOWER 14" DOOR
(6" WIDE SHOWN)



SQUAD BENCH TO HAVE (2) ATTENDANT SEATING POSITIONS, ONE WITH 6-POINT HARNESS, AND ONE WITH 2-POINT LAP BELT. BELTS TO ALSO BE INSTALLED TO SECURE BACKBOARDED PATIENT.



* TWO(2) ANTENNA BASES LOCATED OUTBOARD OF DOME LIGHTS WITH COAX SERVICE LOOP

FERNO 175-3 COT MOUNT-CENTER MOUNT FOR 35X COT

MODULE WIDTH = 96"

MODULE LENGTH = 156"

MODULE HEAD ROOM = 73.5"



DIMENSIONS ARE NOMINAL

VOLUSIA COUNTY
FIRE RESCUE

2011 FLOOR INTERIOR VIEW

DATE:	01 JUNE 11
DWG.	MJF
REV.	F

DRAWING NO.	VOLUSIA-9
-------------	-----------

1:23