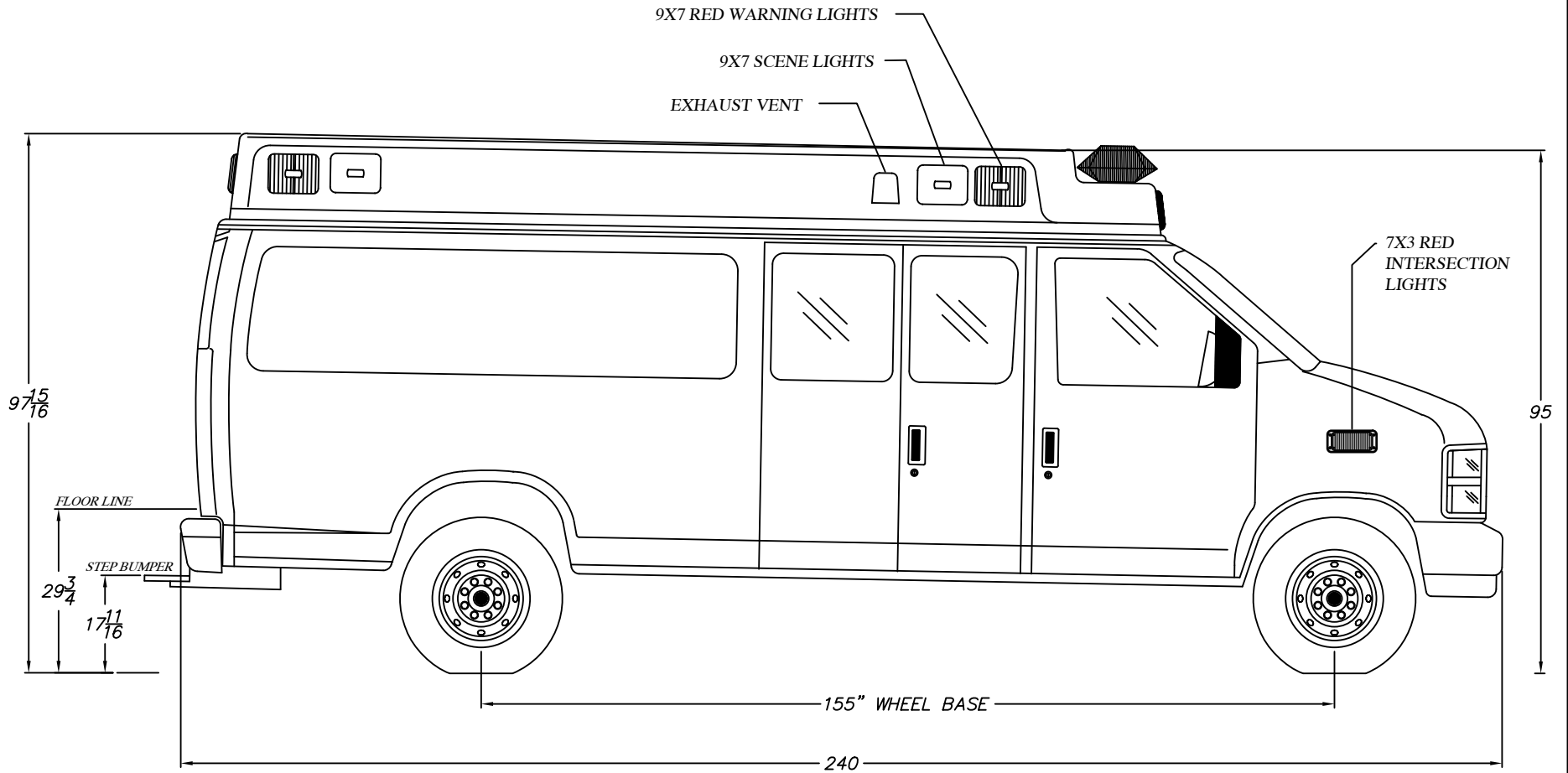


Dealer:

Approved By:

Date:

Customer:



Chevy Savannah 155" WB TYPE II AMBULANCE		
DESCRIPTION: Curbside Exterior		
DRAWN BY: Kurt E	DATE CREATED:	DRAWING NUMBER A
File Path:		

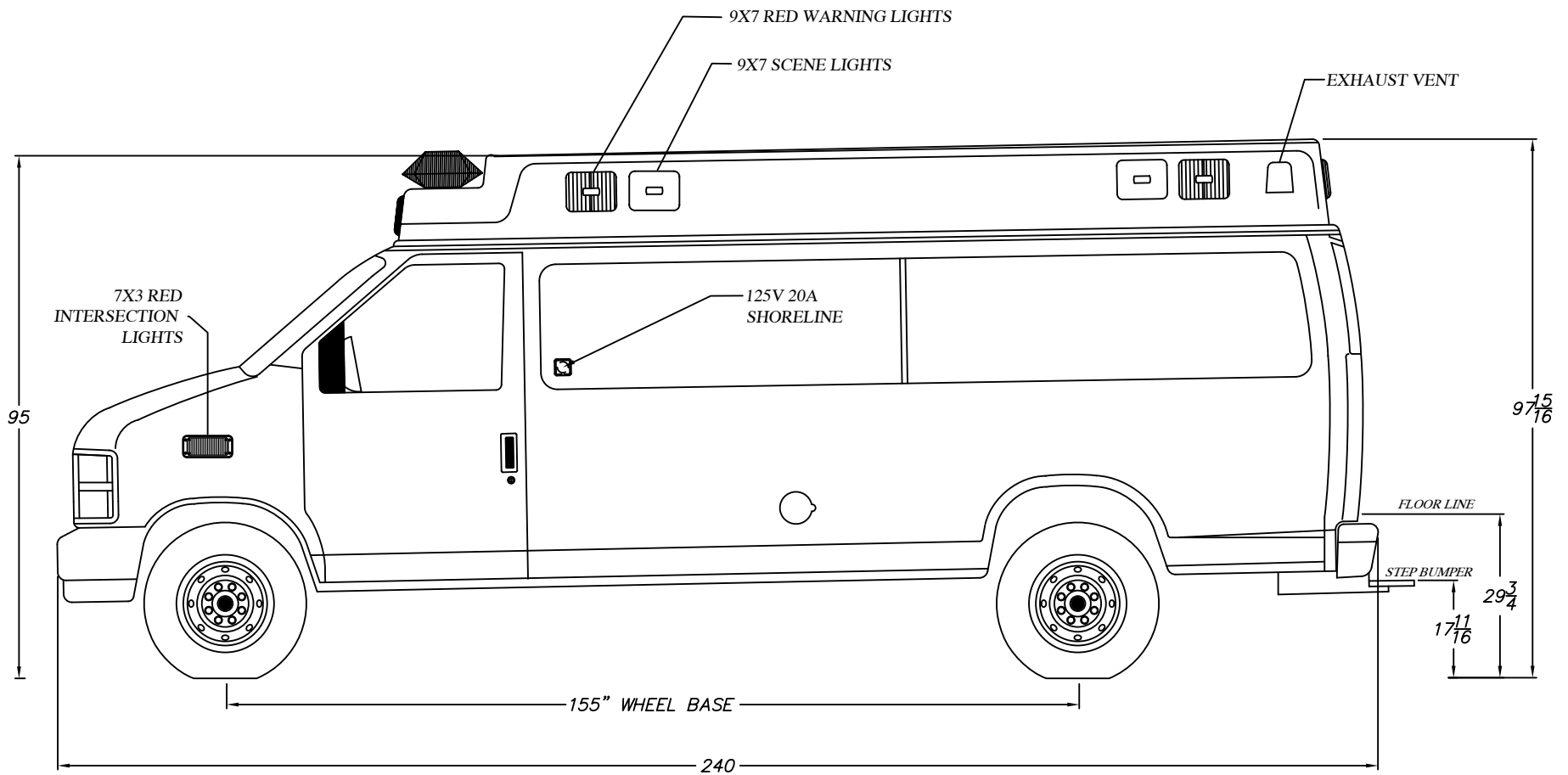
MEDIX 3008 MOBILE DRIVE
ELKHART, IN 46514
PH: 574-266-0911
SPECIALTY VEHICLES, INC. FAX: 574-266-6669
"LET US SHOW YOU THE MEDIX DIFFERENCE"
WWW.MEDIXAMBULANCE.COM

Dealer:

Approved By:

Date:

Customer:



Chevy Savannah 155" WB
TYPE II AMBULANCE

DESCRIPTION:

Street Side Exterior

DRAWN BY:

Kurt E

DATE CREATED:

DRAWING NUMBER

B

File Path:



3008 MOBILE DRIVE
ELKHART, IN 46514
PH: 574-266-0911
FAX: 574-266-6669

SPECIALTY VEHICLES, INC.

"LET US SHOW YOU THE MEDIX DIFFERENCE"

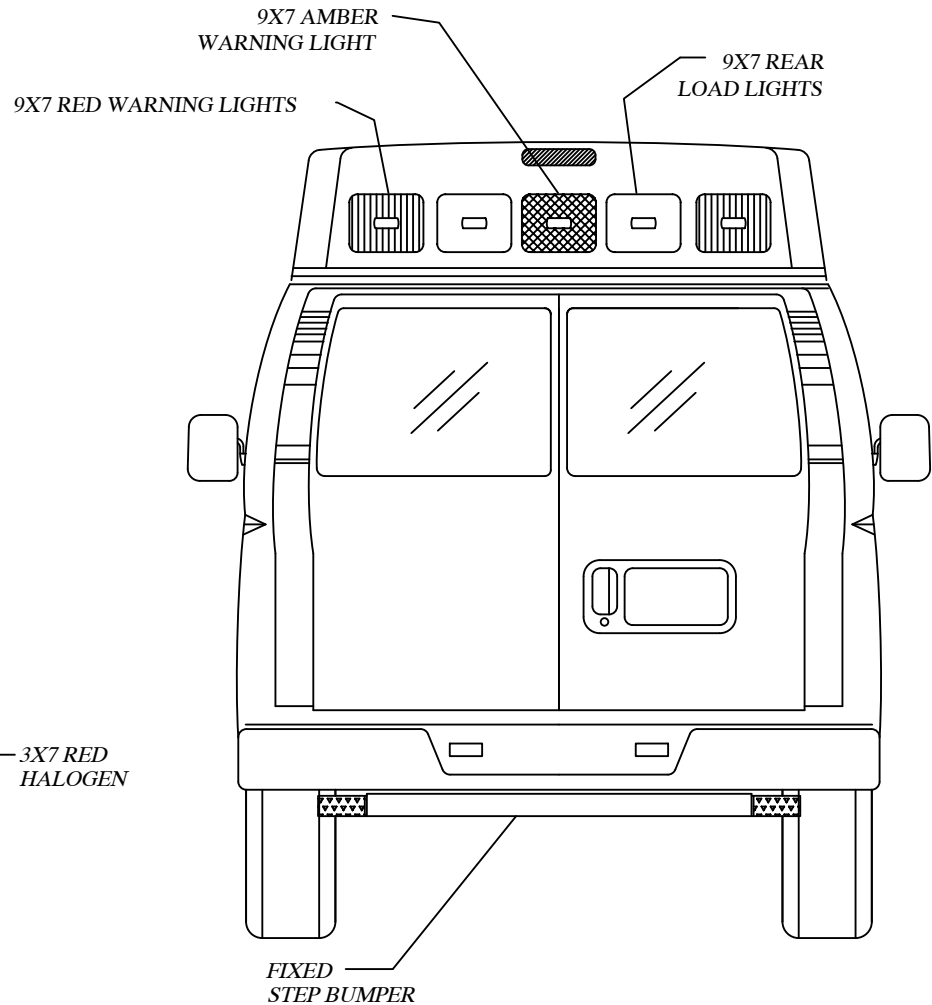
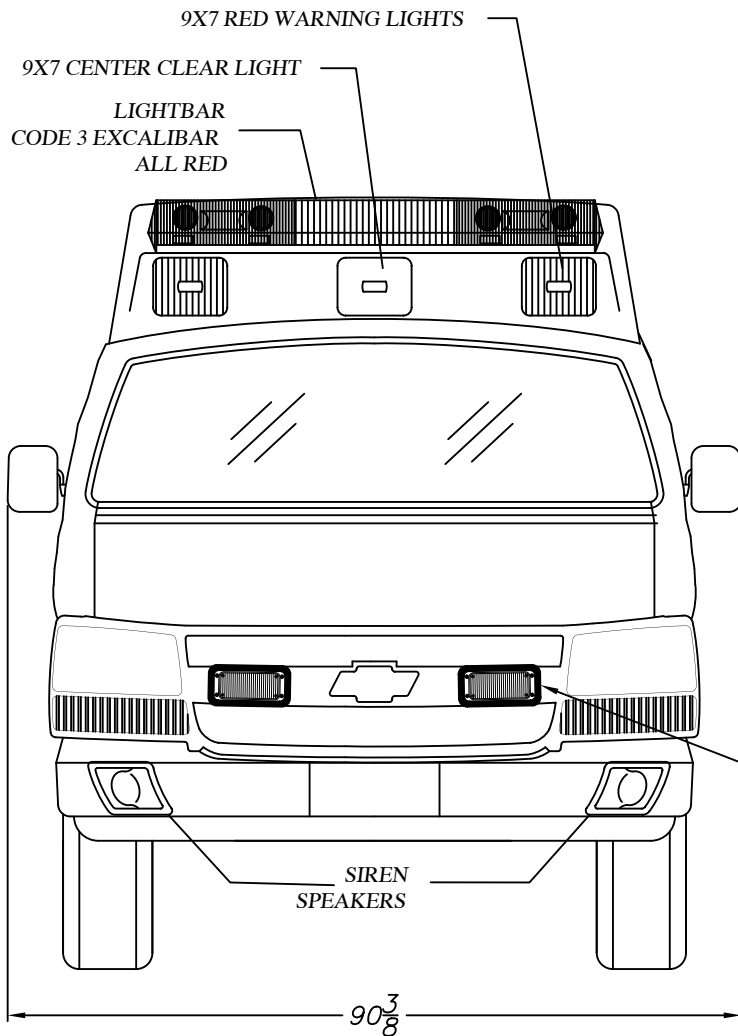
WWW.MEDIXAMBULANCE.COM

Dealer:

Approved By:

Date:

Customer:



Chevy Savannah 155" WB TYPE II AMBULANCE		
DESCRIPTION: Front & Rear Exterior		
DRAWN BY: Kurt E	DATE CREATED:	DRAWING NUMBER C
File Path:		

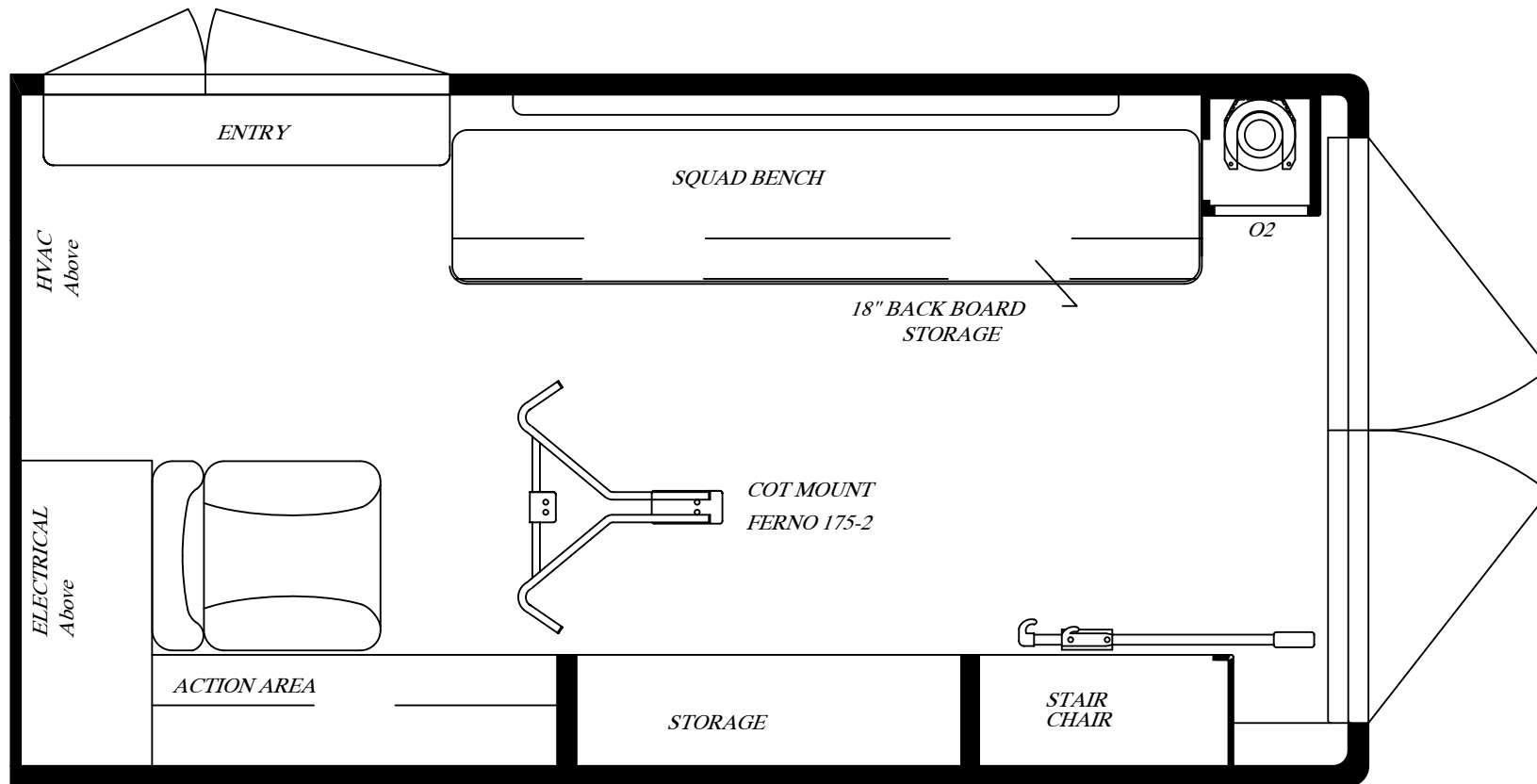
MEDIX 3008 MOBILE DRIVE
ELKHART, IN 46514
PH: 574-266-0911
SPECIALTY VEHICLES, INC. FAX: 574-266-6669
"LET US SHOW YOU THE MEDIX DIFFERENCE"
WWW.MEDIXAMBULANCE.COM

Dealer:

Approved By:

Date:

Customer:



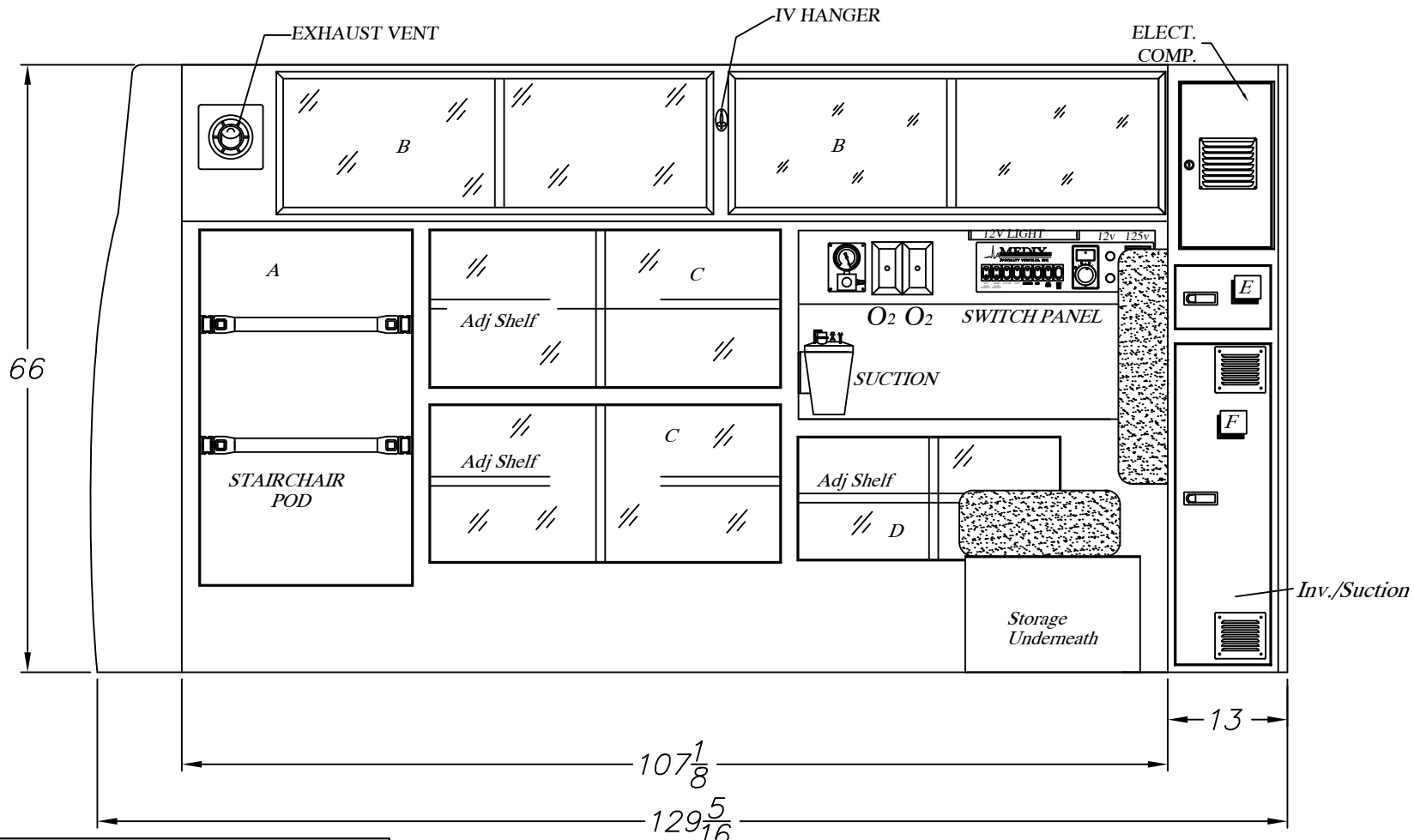
Chevy Savanah 155" WB TYPE II AMBULANCE		
DESCRIPTION: Patient Plan Area		
DRAWN BY: Kurt E	DATE CREATED:	DRAWING NUMBER D
File Path:		

MEDIX
SPECIALTY VEHICLES, INC.

3008 MOBILE DRIVE
ELKHART, IN 46514
PH: 574-266-0911
FAX: 574-266-6669

"LET US SHOW YOU THE MEDIX DIFFERENCE"
WWW.MEDIXAMBULANCE.COM

Dealer:	Approved By:	Date:	Customer:
----------------	---------------------	--------------	------------------



INTERIOR WINDOW TUB STORAGE			
TEM	HEIGHT	WIDTH	DEPTH
A	17"	38"	10 3/4"
B	20"	38"	13"
C	38 1/2"	23"	8 1/2"
D	14"	46"	5"
E	7"	10 1/4"	22"
F	24 1/2"	10 1/4"	22"

Chevy Savannah 155" WB TYPE II AMBULANCE		
DESCRIPTION: Street Side Interior		
DRAWN BY: Kurt E	DATE CREATED:	DRAWING NUMBER E
File Path:		

3008 MOBILE DRIVE
ELKHART, IN 46514
PH: 574-266-0911
SPECIALTY VEHICLES, INC. FAX: 574-266-6669

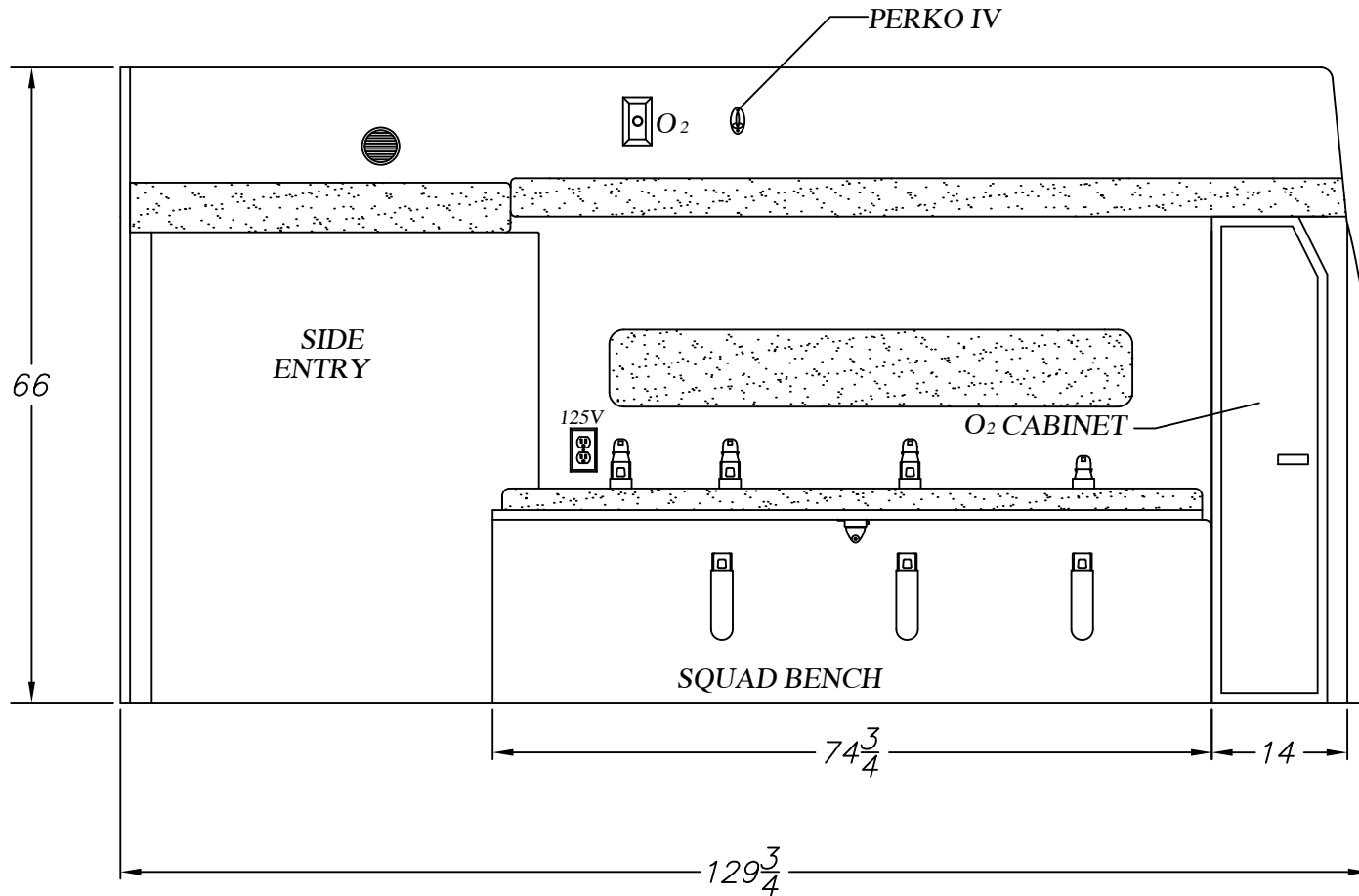
"LET US SHOW YOU THE MEDIX DIFFERENCE"
WWW.MEDIXAMBULANCE.COM

Dealer:

Approved By:

Date:

Customer:



SEATBELT 4" PLATE LOCATION

WELDSHOP	—	INCHES	NOTE: THIS DIMENSION IS FROM THE BOTTOM OF THE WALL TO THE BOTTOM OF THE 4" PLATE
CABINET SET			
LOCATION OF SEATBELT DRILL HOLES	LEFT SIDE FROM EDGE TO CENTER	—	RIGHT SIDE FROM EDGE TO CENTER

Chevy Savanah 155" WB TYPE II AMBULANCE		
DESCRIPTION: Curbside Interior		
DRAWN BY: Kurt E	DATE CREATED:	DRAWING NUMBER F
File Path:		

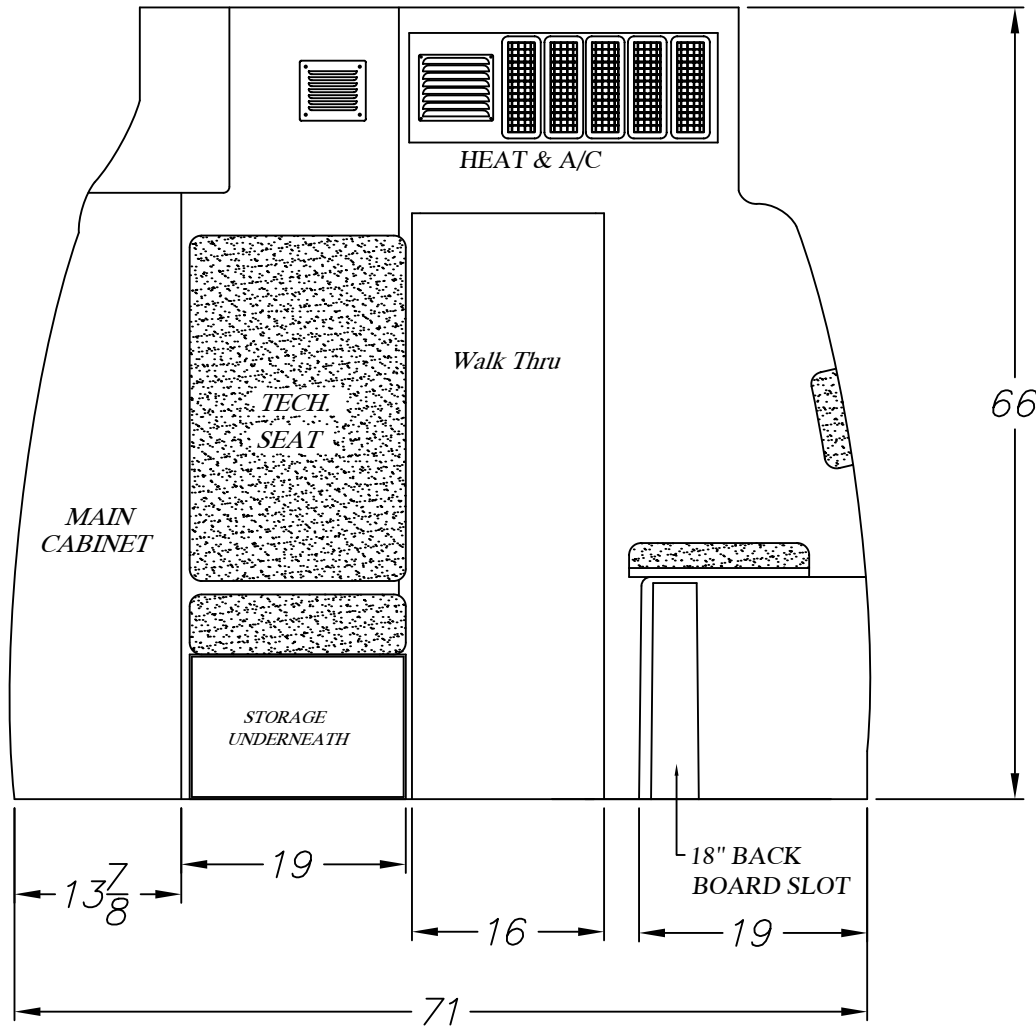
MEDIX 3008 MOBILE DRIVE
ELKHART, IN 46514
PH: 574-266-0911
SPECIALTY VEHICLES, INC. FAX: 574-266-6669
"LET US SHOW YOU THE MEDIX DIFFERENCE"
WWW.MEDIXAMBULANCE.COM

Dealer:

Approved By:

Date:

Customer:



Chevy Savanah 155" WB TYPE II AMBULANCE		
DESCRIPTION: Front Bulkhead Interior		
DRAWN BY: Kurt E	DATE CREATED:	DRAWING NUMBER G
File Path:		

MEDIX
SPECIALTY VEHICLES, INC.

3008 MOBILE DRIVE
ELKHART, IN 46514
PH: 574-266-0911
FAX: 574-266-6669

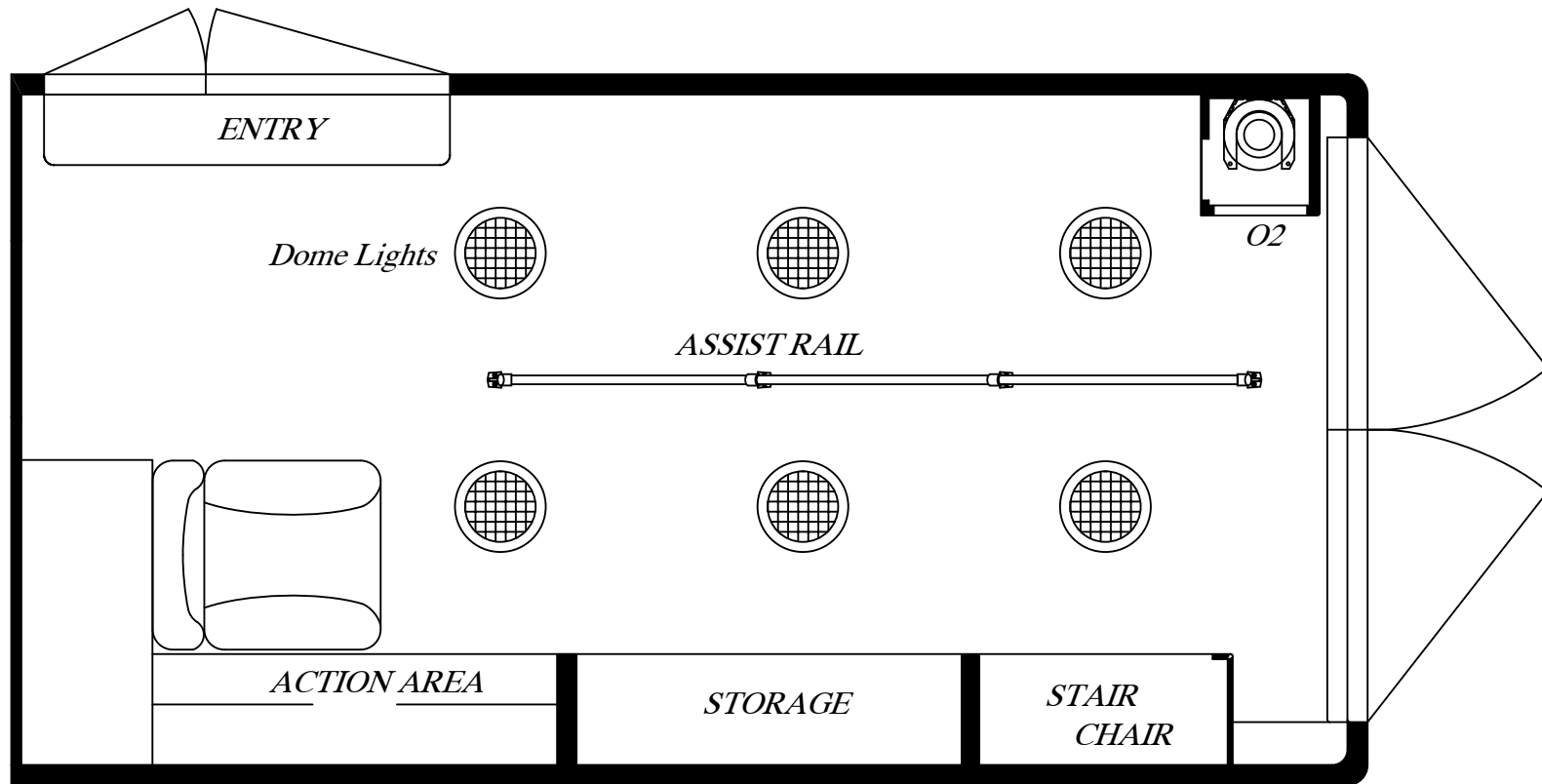
"LET US SHOW YOU THE MEDIX DIFFERENCE"
WWW.MEDIXAMBULANCE.COM

Dealer:

Approved By:

Date:

Customer:



Chevy Savannah 155" WB TYPE II AMBULANCE		
DESCRIPTION: Pateint Plan Ceiling Area		
DRAWN BY: Kurt E	DATE CREATED:	DRAWING NUMBER H
File Path:		

MEDIX
SPECIALTY VEHICLES, INC.

3008 MOBILE DRIVE
ELKHART, IN 46514
PH: 574-266-0911
FAX: 574-266-6669

"LET US SHOW YOU THE MEDIX DIFFERENCE"
WWW.MEDIXAMBULANCE.COM